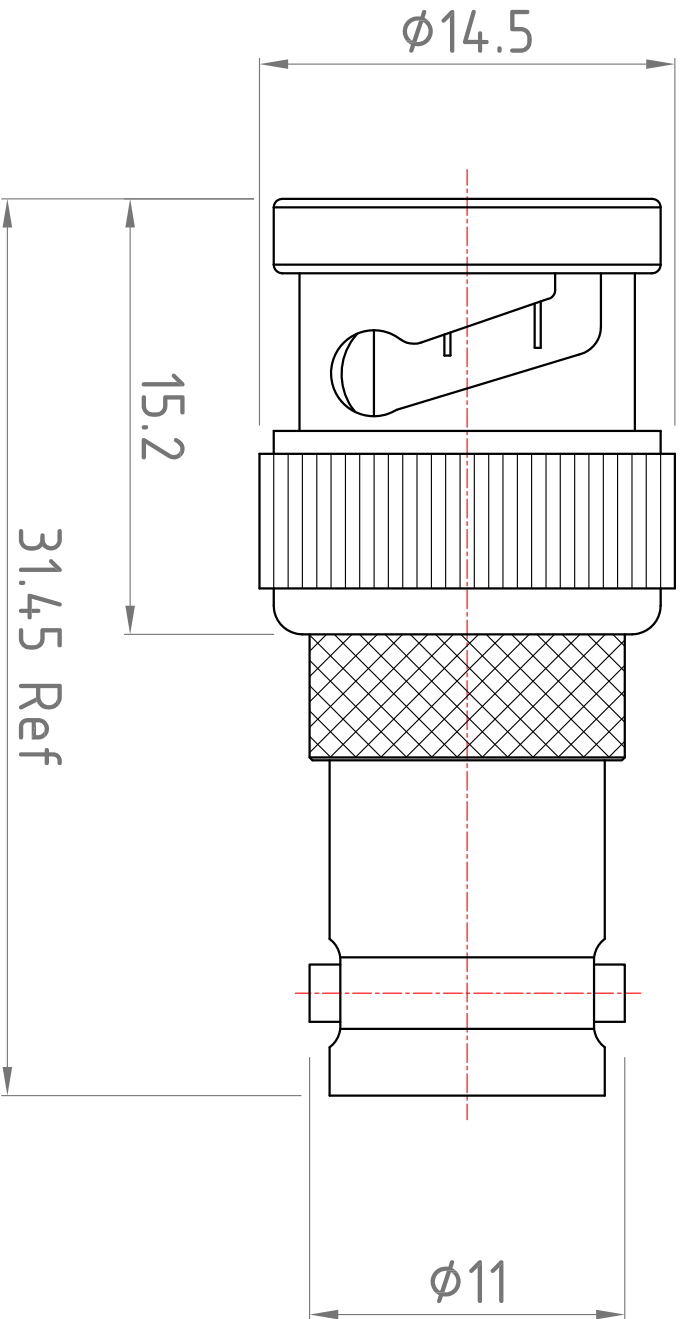


Revisions

Note: Revisions B: B-1; B-2..... On behalf of official Drawing.
 Revisions 1: 2; 3; 4..... On behalf of experimenter's Drawing.

ISS	Symbol	Description	Date
B		CHE for New Drawing Frame & New PN System	2006/07/11

Outline Drawing



ROHS COMPLIANCE

ITEM	Description	Material	Finish	Part Number	QTY
6					
5					
4	Pin	Brass	Gold		
3	Insulator	Delrin	None		
2	Body	Brass	Nickel		
1	Shell	Diecast	Nickel		

Scale	Abbr.	Date	Rev.	DWG. NO.
NTS	ST	2011/04/29	B	W50110031
Tolerances : .X ±0.2 .XX ±0.1 .XXX±0.05				
All Dimensions in mm (Unless Otherwise Specified)		Customer P/N:		
Drawn	Checked	Approved		
<i>Mark</i>	<i>Ryuan</i>	<i>Y. Yun</i>		
2011/04/29	2011/04/29	2011/04/29		

TITLE

BNC Plug to Jack Adaptor



Proprietary Note
 This document contains information proprietary to MAP, which is either copyrighted, or patent applied for, and / or protected by trade secret laws.
 This document or parts thereof, may not be used disclosed or reproduced in any form by any method, or for any purpose, without the written permission of MAP, Japan.