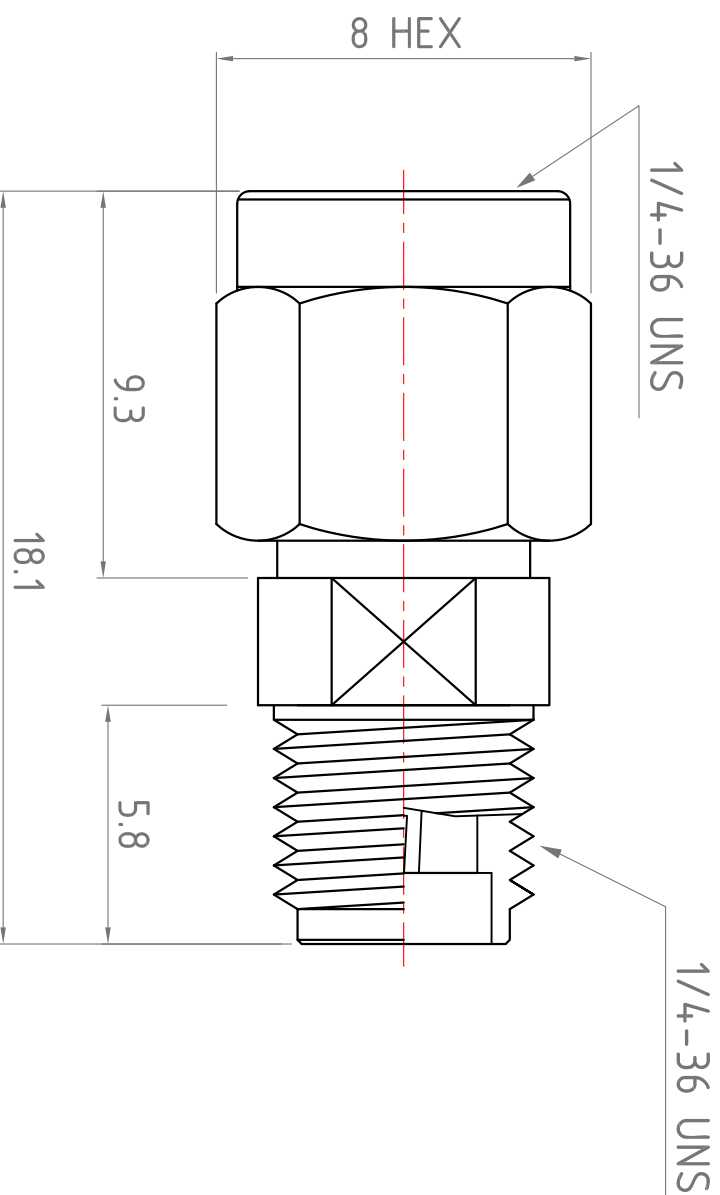


## Revisions

Note: Revisions B: B-1; B-2..... On behalf of official Drawing.  
 Revisions 1: 2; 3; 4..... On behalf of experimenter's Drawing.

ISS	Symbol	Description	Date
B		CHE for New Drawing Frame & New PN System	2006/07/11

Outline Drawing



### Electrical Performance :

1. Impedance : 50 ohms
2. Frequency : 0~18 GHz
3. Working Voltage : 335 Vrms MAX.
4. Dielectric withstanding Voltage : 1000 Vrms MIN.
5. Insulator Resistance : 1000M ohms MIN.
6. VSWR : 1.1 MAX.


ROHS COMPLIANCE

ITEM	Description	Material	Finish	Part Number	QTY
6					
5					
4	Pin	BeCu	30u"Gold		
3	Insulator	PTFE	None		
2	Body	Brass	Gold		
1	Shell	Brass	Gold		

Scale	Abbr.	Date	Rev.
NTS	ST	2011/04/29	B

Tolerances :	 All Dimensions in mm (Unless Otherwise Specified)
.X ±0.2	
.XX ±0.1	


  

Drawn	Checked	Approved
<i>Mark</i>	<i>Ryuan</i>	<i>Y. Sun</i>
2011/04/29	2011/04/29	2011/04/29

DWG. NO.	TITLE
W50110029	SMA Plug to Jack Adaptor

Customer P/N:	 <b>MAP electronics co., Ltd.</b> Material All Procurement
Proprietary Note This document contains information proprietary to MAP, which is either copyrighted, or patent applied for, and / or protected by trade secret laws. This document or parts thereof, may not be used disclosed or reproduced in any form by any method, or for any purpose, without the written permission of MAP, Japan.	