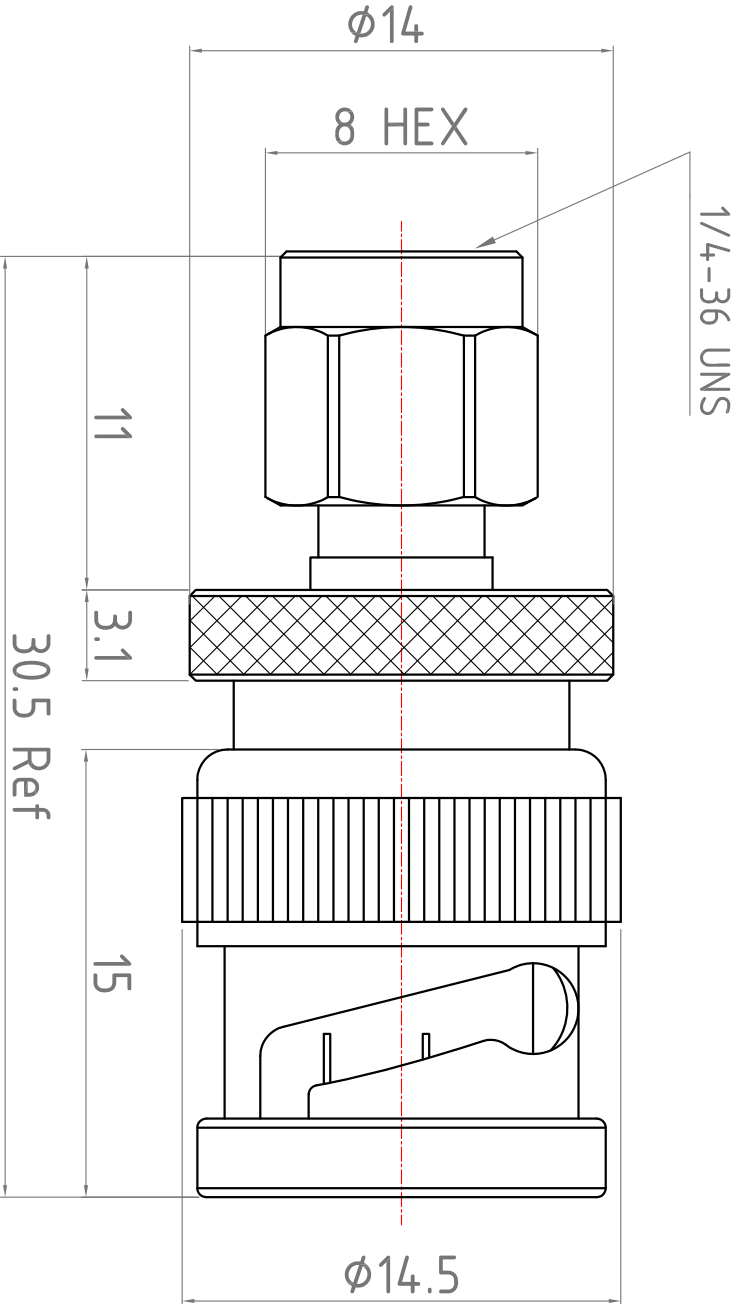


Revisions

Note: Revisions B: B-1; B-2..... On behalf of official Drawing.
 Revisions 1: 2; 3; 4..... On behalf of experimant's Drawing.


| ISS | Symbol | Description | Date |
|-----|---|---|------------|
| B |  | CHE for New Drawing Frame & New PN System | 2006/07/11 |

Outline Drawing



ROHS COMPLIANCE

| ITEM | Description | Material | Finish | Part Number | QTY |
|------|-------------|----------|--------|-------------|-----|
| 6 | | | | | |
| 5 | | | | | |
| 4 | Pin | Brass | Gold | | |
| 3 | Insulator | PTFE | None | | |
| 2 | Body | Brass | Nickel | | |
| 1 | Shell | Brass | Nickel | | |

| | | | | |
|--------------|--|---------------|---------------|-----------|
| Scale | Abbr. | Date | Rev. | DWG. NO. |
| NTS | ST | 2011/04/29 | B | W50110025 |
| Tolerances : | | | | |
| X: ±0.2 |  All Dimensions in mm (Unless Otherwise Specified) | | | |
| .XX ±0.1 | | | | |
| .XXXX±0.05 | | | | |
| Drawn | Checked | Approved | Customer P/N: | |
| <i>Mark</i> | <i>Ryan</i> | <i>G. Yun</i> | | |
| 2011/04/29 | 2011/04/29 | 2011/04/29 | | |

TITLE

SMA Plug to BNC Plug Adaptor



MAP electronics co., Ltd.
Material All Procurement

Proprietary Note
 This document contains information proprietary to MAP, which is either copyrighted, or patent applied for, and / or protected by trade secret laws.
 This document or parts thereof, may not be used disclosed or reproduced in any form by any method, or for any purpose, without the written permission of MAP, Japan.