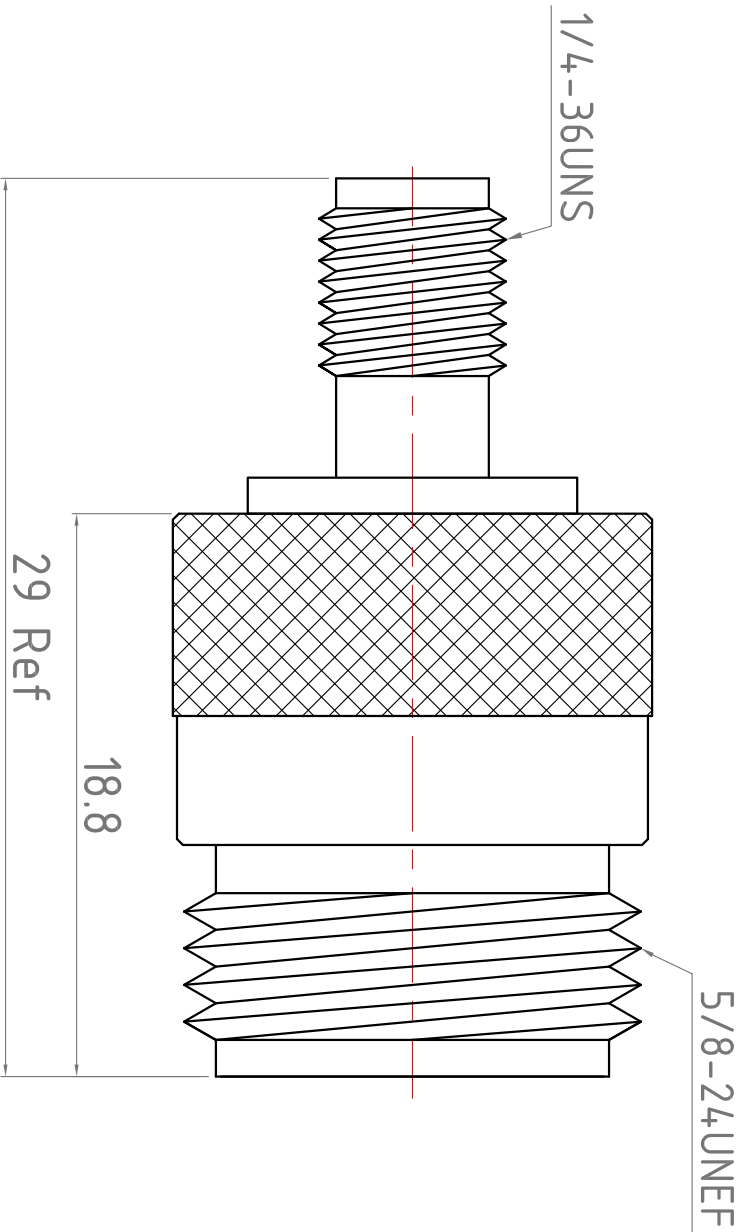


Revisions

Note: Revisions B: B-1; B-2..... On behalf of official Drawing.
 Revisions 1; 2; 3; 4..... On behalf of experimant's Drawing.




ISS	Symbol	Description	Date
B		CHE for New Drawing Frame & New PN System	2006/07/11

Outline Drawing



ROHS COMPLIANCE

ITEM	Description	Material	Finish	Part Number	QTY
6					
5					
4					
3	Pin	Brass	Gold		
2	Insulator	PTFE	None		
1	Body	Brass	Nickel		

Scale	Abbr.	Date	Rev.	DWG. NO.
NTS	ST	2011/04/29	B	W50110022
Tolerances :				
X	±0.2	 All Dimensions in mm (Unless Otherwise Specified)	 Checked	 Approved
.XX	±0.1			
.XXXX	±0.05			
Customer P/N:				

TITLE

SMA Jack to N Jack Adaptor



MAP electronics co., Ltd.
Material All Procurement

Proprietary Note
 This document contains information proprietary to MAP, which is either copyrighted, or patent applied for, and / or protected by trade secret laws.
 This document or parts thereof, may not be used disclosed or reproduced in any form by any method, or for any purpose, without the written permission of MAP, Japan.

Mark	2011/04/29
By	2011/04/29
App	2011/04/29