

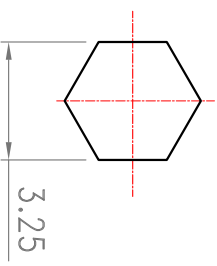
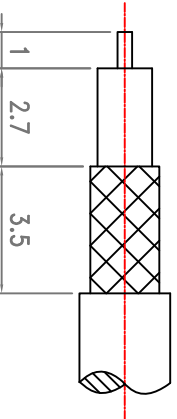
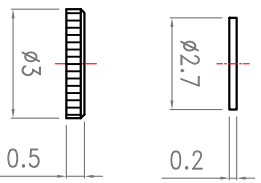
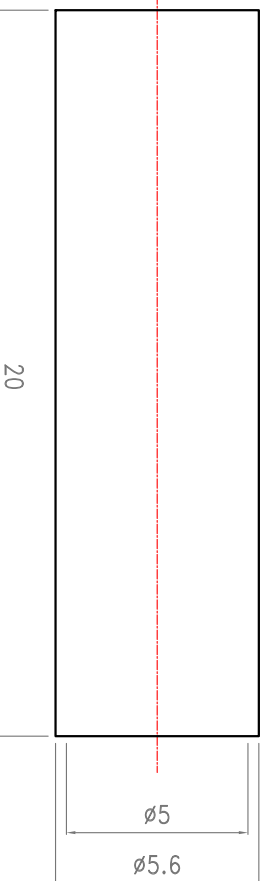
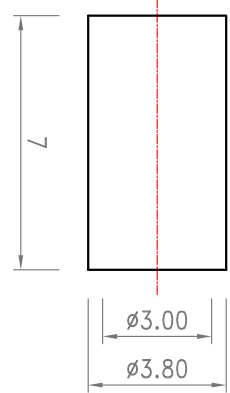
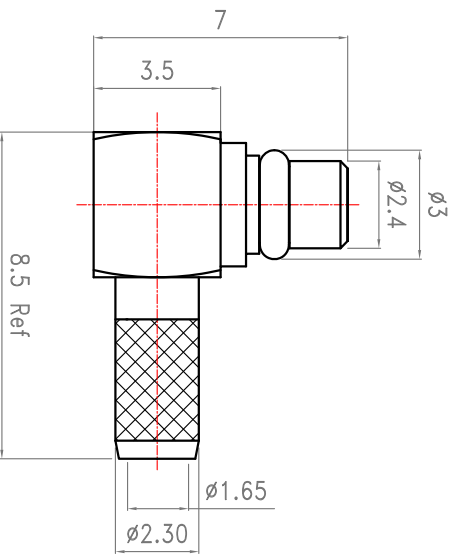
## Revisions

ISS	Symbol	Description	Date
B		CHE for New Drawing Frame & New PN System	2006/07/11

Outline Drawing

Note :

1. Recommended Crimped Hand Tool : **HT-801V**



**Recommended Cable Stripping Dimensions**

**Recommended Crimped Dimensions for Ferrule**

ROHS COMPLIANCE

ITEM	Description	Material	Finish	Part Number	QTY
6					
5	Shrinking Tube	PE	None		
4	Ferrule	Brass	Gold		
3	Pin	Brass	30u"Gold		
2	Insulator	PTFE	None		
1	Body	Brass	Gold		

Scale	Abbr.	Date	Rev.
NTS	ST	2011/04/28	B

Tolerances :	All Dimensions in mm (Unless Otherwise Specified)
.X ±0.2 .XX ±0.1 .XXX±0.05	

Drawn	Checked	Approved
<i>Mark</i>	<i>Ryan</i>	<i>S. Sun</i>

2011/04/28	2011/04/28	2011/04/28
------------	------------	------------

DWG. NO.	TITLE
W50110017	MMCX R/A Crimp Plug for RG174,188,316;B7805A;URM95 Cable

Customer P/N:	Proprietary Note
	This document contains information proprietary to MAP, which is either copyrighted, or patent applied for, and / or protected by trade secret laws. This document or parts thereof, may not be used disclosed or reproduced in any form by any method, or for any purpose, without the written permission of MAP, Japan.