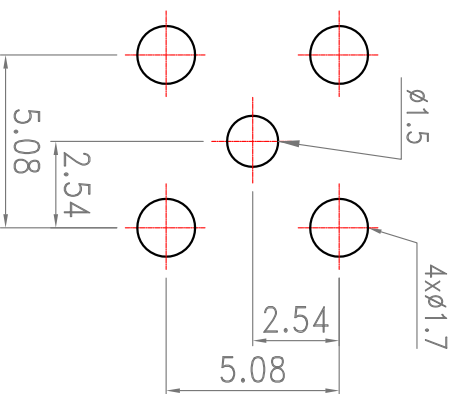
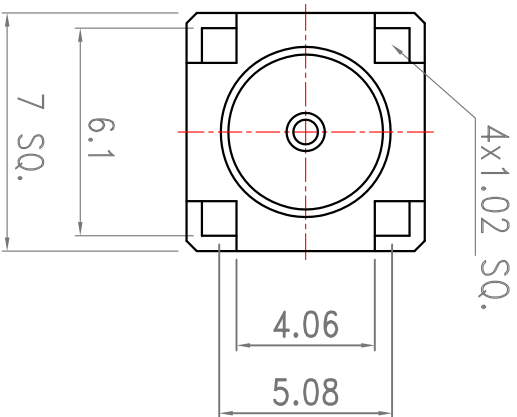
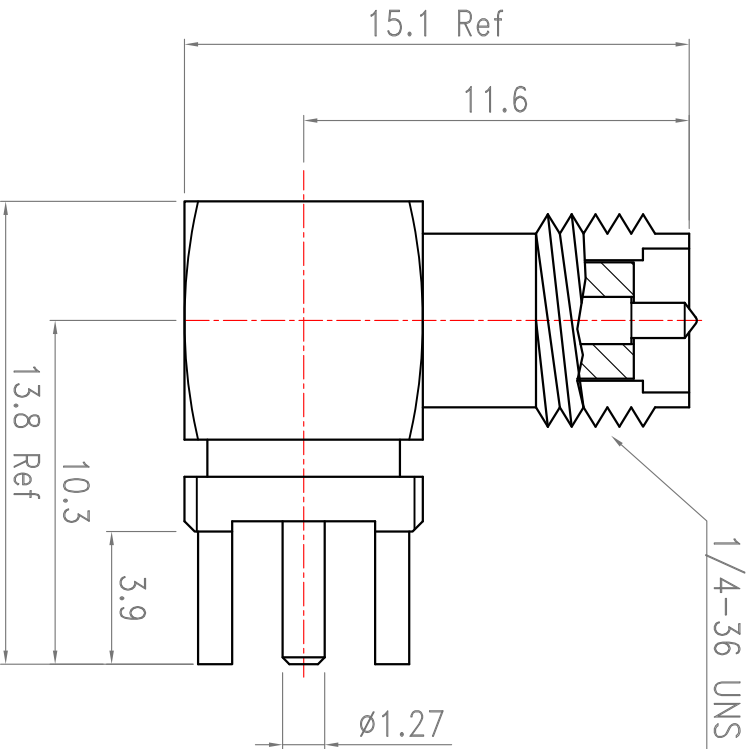


# Revisions

Note: Revisions B: B-1; B-2..... On behalf of official Drawing.  
 Revisions 1: 2; 3; 4..... On behalf of experimenter's Drawing.

ISS	Symbol	Description	Date
B		CHE for New Drawing Frame & New PN System	2006/07/11

Outline Drawing



Recommended PCB Layout

ITEM	Description	Material	Finish	Part Number	QTY
6					
5					
4					
3	Pin	Brass	30u"Gold		
2	Insulator	PTFE	None		
1	Body	Brass	Gold		

Scale	Abbr.	Date	Rev.
NTS	ST	2011/04/28	B

Drawn	Checked	Approved
<i>Mark</i>	<i>Rygon</i>	<i>G. Sun</i>

DWG. NO. W50110006

TITLE RP SMA R/A Jack, PCB Type

Customer P/N:

Proprietary Note: This document contains information proprietary to MAP, which is either copyrighted, or patent applied for, and / or protected by trade secret laws. This document or parts thereof, may not be used disclosed or reproduced in any form by any method, or for any purpose, without the written permission of MAP, Japan.

ROHS COMPLIANCE

MAP electronics co., Ltd.  
Material All Procurement