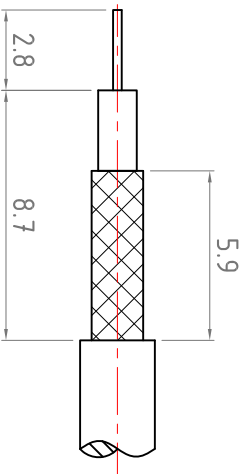


Revisions

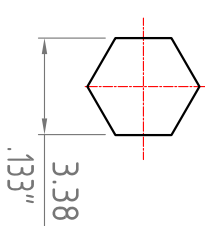
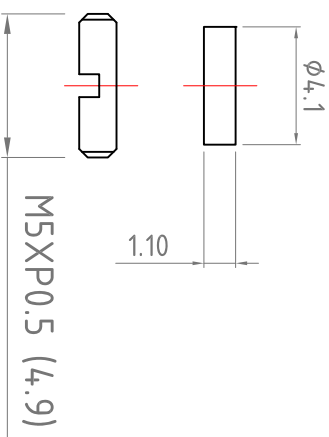
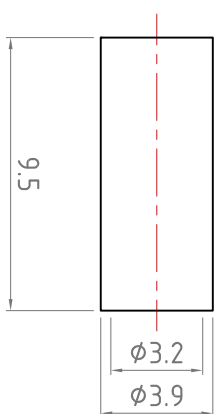
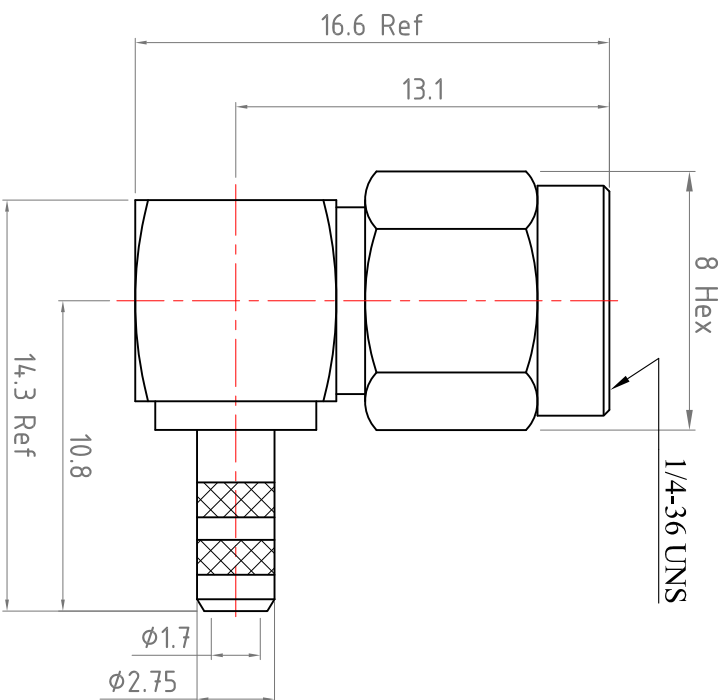
ISS	Symbol	Description	Date
B		CHE for New Drawing Frame & New PN System	2006/07/11

Outline Drawing

Note: Revisions B: B-1; B-2..... On behalf of official Drawing.
 Revisions 1: 2; 3; 4..... On behalf of experiment's Drawing.



Recommended Cable Stripping Dimensions



Recommended Crimped
Dimensions for Ferrule

- Note :
 2. Recommended Crimped Hand Tool : **HT-H116N**

ROHS COMPLIANCE

ITEM	Description	Material	Finish	Part Number	QTY
7	Cap	Brass	Gold		
6	Insulator Cap	PTFE	None		
5	Ferrule	Brass	Gold		
4	Pin	Brass	30u"Gold		
3	Insulator	PTFE	None		
2	Body	Brass	Gold		
1	Shell	Brass	Gold		

Scale	Abbr.	Date	Rev.	DWG. NO.
NTS	ST	2011/04/28	B	W50110002
Tolerances :		All Dimensions in mm (Unless Otherwise Specified)		
X ±0.2				
.XX ±0.1				
.XXXX±0.05				
Drawn	Checked	Approved	Customer P/N:	
<i>Mark</i>	<i>Ryan</i>	<i>Y. Sun</i>		
2011/04/28	2011/04/28	2011/04/28		
TITLE SMA R/A Crimp Plug for RG174 Cable				
Material All Procurement				

Proprietary Note
 This document contains information proprietary to MAP, which is either copyrighted, or patent applied for, and / or protected by trade secret laws.
 This document or parts thereof, may not be used disclosed or reproduced in any form by any method, or for any purpose, without the written permission of MAP, Japan.