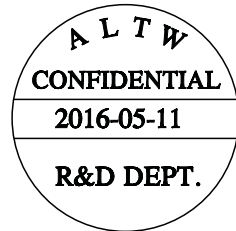
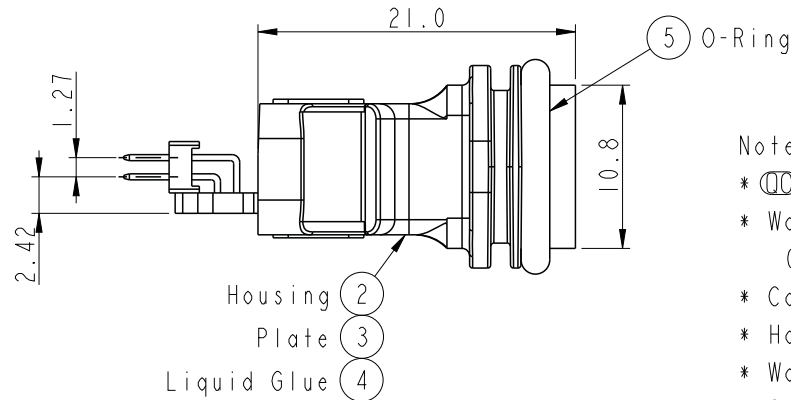
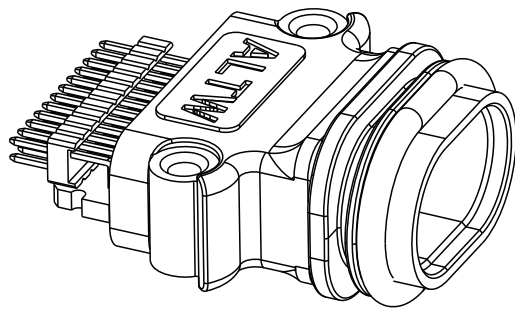
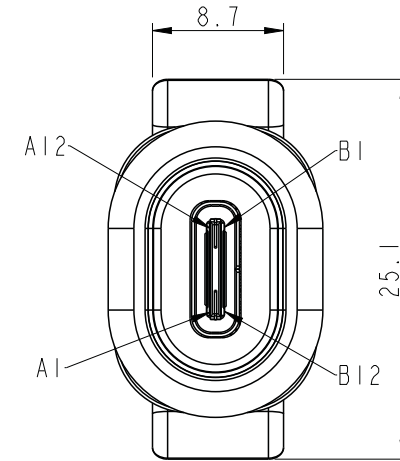
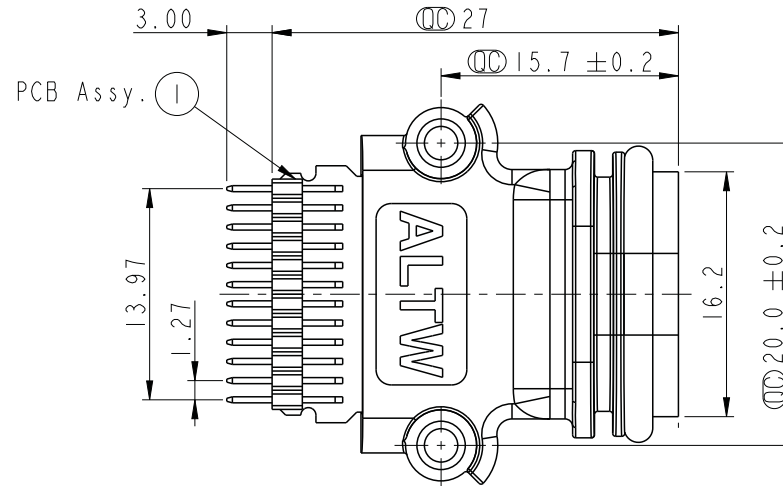
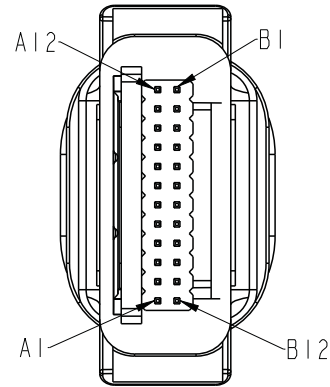




For reference only

REV.	ECN NO.	DATE	SIGN	DESCRIPTION
A	Initial release	2016/05/10	Doreen	New ITEM.



- Note:
- * \varnothing Important Dimension
 - * Waterproof Rate: IP68(Unmated)
(Under water 1M, 24H)
 - * Connector: USB Type C Female
 - * Housing: PP, UL94 V-0,FI, Black
 - * Wafer: 24Pin Header, Dual Row, P=1.27mm
 - * O-Ring: Silicone, Gray
 - * Panel Thickness max: 4.0mm
 - * All Parts Are RoHS Compliant

UNIT: mm		
TOLERANCE	.X ±0.25	
	.XX ±0.1	
	.XXX ±0.05	
ANGLES	±1°	

TITLE USB USB 3.1 TYPE C JACK		
SCALE 2:1	SIZE A4	SHEET 1 OF 2
REV. A	WC-REV. A.27	\varnothing : Inspection item

Amphenol LTW
安費諾亮泰企業股份有限公司

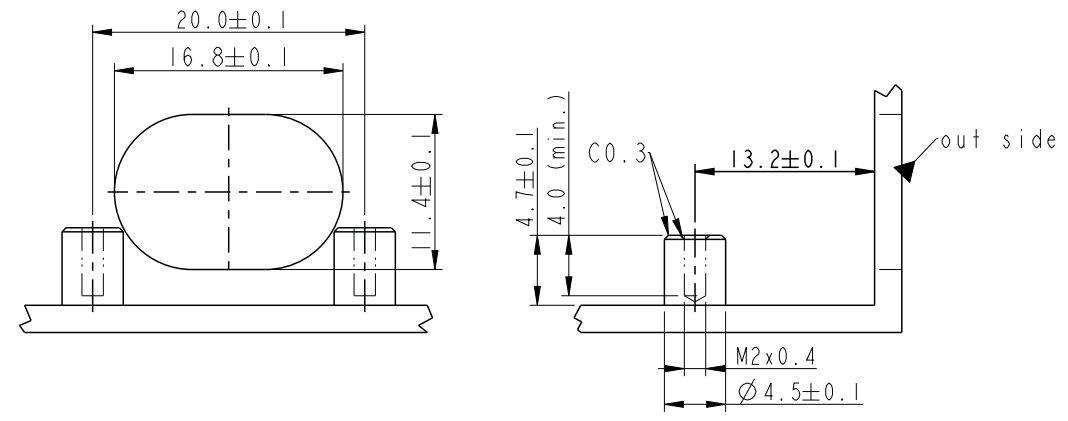
ITEM NO. UC-31PFFP-QS8001	DRAWN BY Ann	DATE 2016/05/11
DWG NO. UC-31PFFP-QS8001	CHECKED BY Jush	DATE 2016/05/11
CUSTOMER ALTW	APPROVED BY Lisa	DATE 2016/05/11

THIS DOCUMENT IS SUBJECT TO CHANGE WITHOUT NOTICE. IT IS CONFIDENTIAL AND A PROPERTY OF AMPHENOL LTW. DISCLOSURE TO THIRD PARTY HAS TO BE AUTHORIZED BY AMPHENOL LTW.

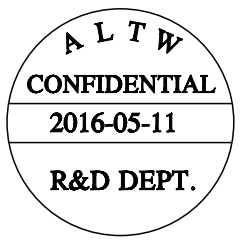
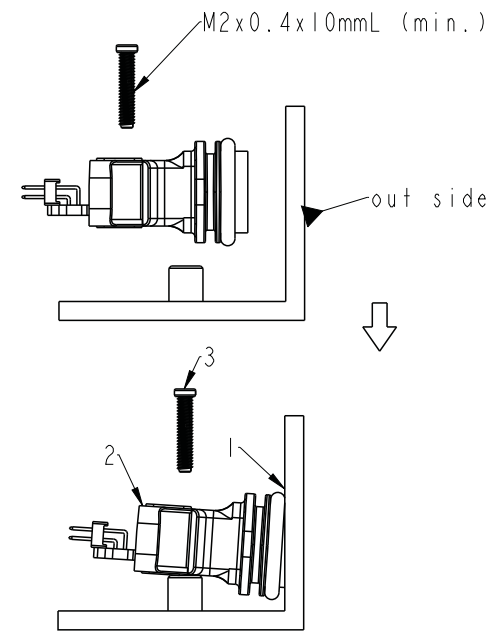
REV.	ECN NO.	DATE	SIGN	DESCRIPTION
------	---------	------	------	-------------

For reference only

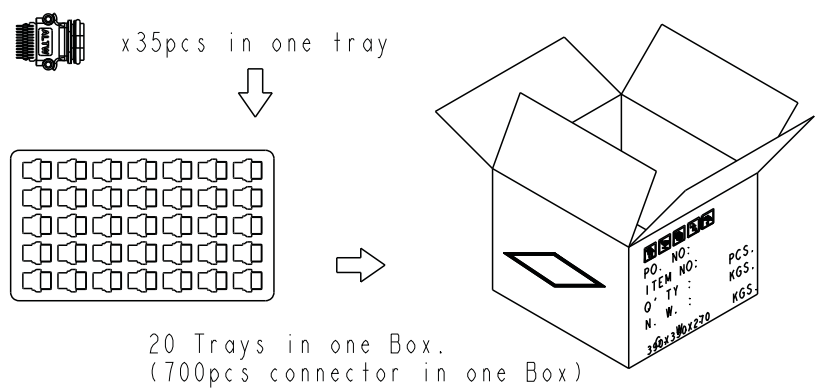
Recommended Panel Cut-Out



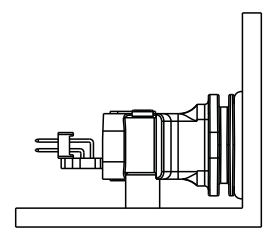
Installation.



Packing Instructions.



Step 1. The connector across into the panel cut-out.
 Step 2. Pressing the connector and fix on the boss.
 Step 3. Screw in.
 第一步：將接頭穿過內孔
 第二步：將接頭往下壓，使左右螺絲側固定於下方的圓柱
 第三步：鎖上螺絲



Finished 完成

UNIT: mm		
TOLERANCE	.X ±0.25	
.XX ±0.1		
.XXX ±0.05		
ANGLES	±1°	

TITLE USB USB 3.1 TYPE C JACK			
SCALE 2:1	SIZE A4	SHEET 2 OF 2	
REV. A	WC-REV. A.27	☉: Inspection item	

Amphenol LTW
 安費諾亮泰企業股份有限公司

ITEM NO. UC-31PFFP-QS8001	DRAWN BY Ann	DATE 2016/05/11
DWG NO. UC-31PFFP-QS8001	CHECKED BY Jush	DATE 2016/05/11
CUSTOMER ALTW	APPROVED BY Lisa	DATE 2016/05/11

THIS DOCUMENT IS SUBJECT TO CHANGE WITHOUT NOTICE. IT IS CONFIDENTIAL AND A PROPERTY OF Amphenol LTW. DISCLOSURE TO THIRD PARTY HAS TO BE AUTHORIZED BY Amphenol LTW.