

BC1602G



Feature

1. COB with metal frame
2. 5x7 dots with cursor
2. Built-in controller KS0066 or equivalent
4. + 5V single power supply
5. 1/16 duty cycle
6. LED B/L pins:15/16, or A/K, or 1/2
7. Option: LED array / EL B/L
8. Option: +3V single power supply
9. Option: negative voltage (built-in, external)

Mechanical Data

| Item | Standard Value | Unit |
|------------------|----------------|------|
| Module Dimension | 106.5 x 43.5 | mm |
| Viewing Area | 99.0 x 24.0 | mm |
| Dot Size | 0.92 x 1.10 | mm |
| Character Size | 4.86 x 9.66 | mm |

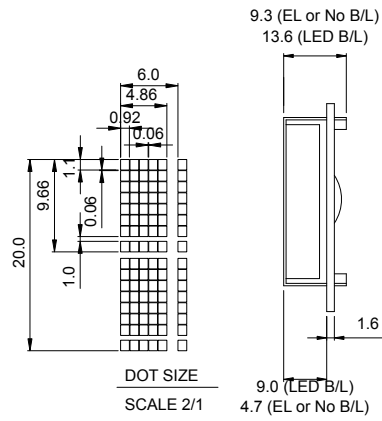
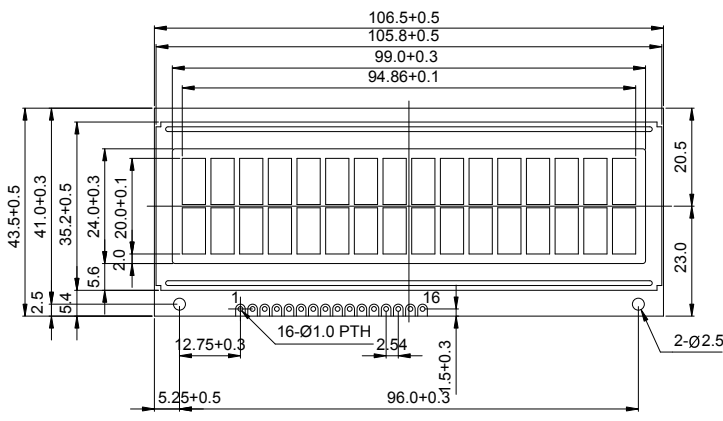
Pin Assignment

| Pin | Symbol | Function |
|------|--------|----------------------------|
| 1 | Vss | GND |
| 2 | Vdd | +5V(+3V option) |
| 3 | Vo | Contrast adjustment |
| 4 | RS | H/L register select signal |
| 5 | R/W | H/L read/write signal |
| 6 | E | H --> L enable signal |
| 7~14 | DB0~7 | H/L data bus line |
| 15 | A | Power supply for B/L (+) |
| 16 | K | Power supply for B/L (GND) |

Electronic Characteristics

| Item | Symbol | Condition | Typical Value | Unit |
|---------------------|--------|------------------|---------------|------|
| Input Voltage | Vdd | Vdd = +5V | 5.0 | V |
| Supply Current | Idd | Vdd = +5V | 2.0 | mA |
| LCD Driving Voltage | Vdd-Vo | 25°C | 4.2 | V |
| LED Forward Voltage | Vf | 25°C | 4.2 | V |
| LED Forward Current | If | 25°C | 280 | mA |
| EL Power Current | Vel | Vel=110Vac/400Hz | | V |

Dimension



| PIN NO. | SYMBOL |
|---------|--------|
| 1 | Vss |
| 2 | Vdd |
| 3 | Vo |
| 4 | RS |
| 5 | R/W |
| 6 | E |
| 7 | DB0 |
| 8 | DB1 |
| 9 | DB2 |
| 10 | DB3 |
| 11 | DB4 |
| 12 | DB5 |
| 13 | DB6 |
| 14 | DB7 |
| 15 | A |
| 16 | K |

