

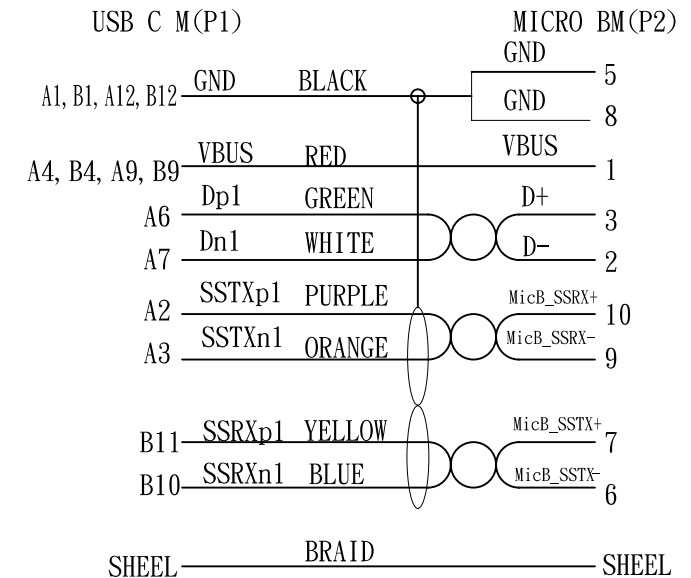
### MATERIAL

NO	DESCRIPTION	MATERIAL	SUPPLIER	REMARK
1	CABLE	UL 20276(32AWG*1P+E+A+H0)*2+#34*1P*A)+#28*2C+ MB 92% JACKET:PVC OD:4.0mm BLACK	GLAN/GM	*
2	CONN	USB 3.0 "C" TYPE MALE BLACK INSULATOT SOLDER TYPE	YALIAN	*
3	CONN	MICRO USB B TYPE MALE PIN G/F SHELL COPPER NICKEL PLATED	YALIAN	24-001-131
4	H. S. TUBE	H. S. TUBE UL/CSA 1.0mm BLACK	WORE	42-D001003
5	PE	PE CLEAR	USIFE	41-001-034
6	PVC	PVC SHORE A 88±2 COLOR:BLACK	GM	41-041-006
7	COPPER FOIL	COPPER FOIL W6*T0.04mm	MING ZHAN	32-001-066

### NOTES:

- 100%OPEN, SHORT & MISWIRE TEST.
- PAY ATTENTION TO PIN ASSIGNMENTS.
- MOLD NO:HS-II041/0 HS-CS101/0

### PIN ASSIGNMENTS



TOLERANCES		REVISIONS			COMPONENT NO :			
X .	+	mm	REV	DESCRIPTION	DATE		APPVD.	U3 MCIRO BN TO C
X . X	-	mm	0	SAMPLE (MEUSB57009 REV. 0)	JULY-13-15		LI	APPROVED :
X . XX	+	mm						CHECKED :
X . XXX	-	mm						DRAWN:LIUWEI
METRIC (mm)							DATE:JULY-13-15	
						DRAWING : MEUSB57009		
						FILE:J:\SAMPLE\BJA57009.DWG		
						THIRD ANGLE PROJECTION		