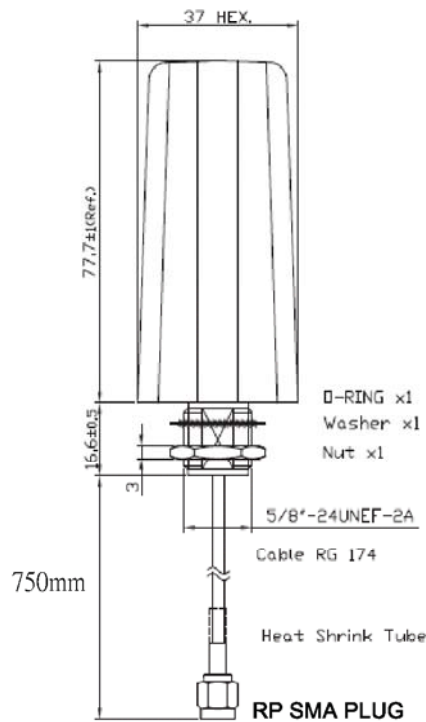


# WiFi/Flying Lead Antenn

Model No. MEIHF-3802RSXX-2400



### Electrical Specification:

Frequency Range	2.4~2.5GHz
Impedance	50Ω
V.S.W.R	≤ 2.0
Radiation	Omni-directional
Gain	2 dBi
Polarization	Vertical
HPBW±3dB@E Plane	20°@2.4 - 2.5GHz@E Plane
HPBW±3dB@H Plane	300°@2.4~2.5GHz@H Plane

### Mechanical Specification:

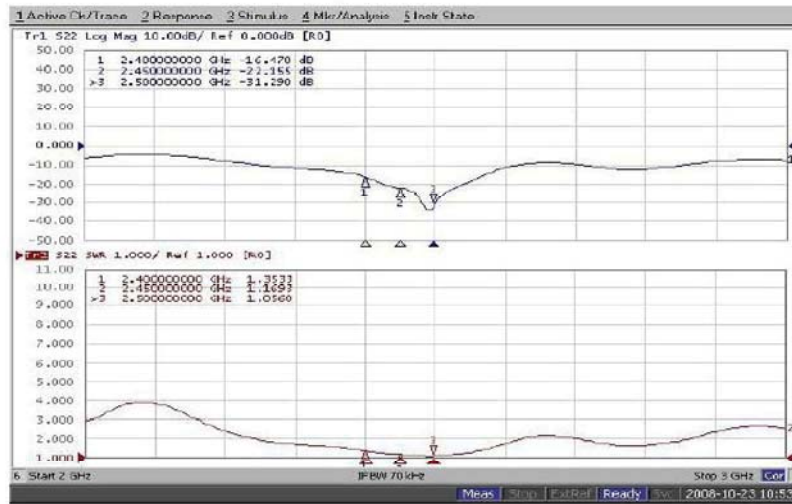
Connector	Mini PCI Plug
Cable	AWG30 (150mm)
Bushing Type	-
Water Proof	IP65
Material	Cover: PC Base: PC
Weight(g)	200g

### Environmental Specification:

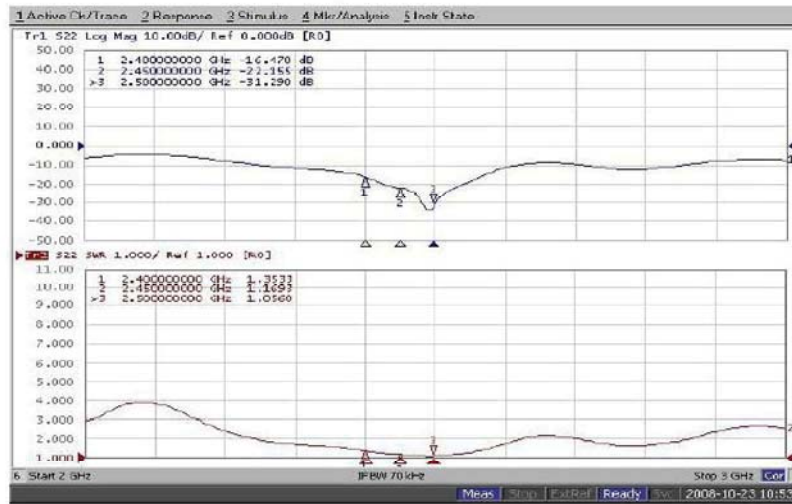
Operating Temp	-20 ~ +65 °C
Storage Temp	-30 ~ +70 °C

Unit : mm  
DIM Ref. only

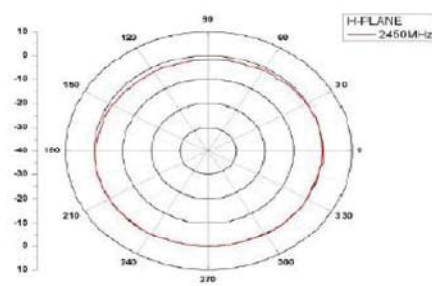
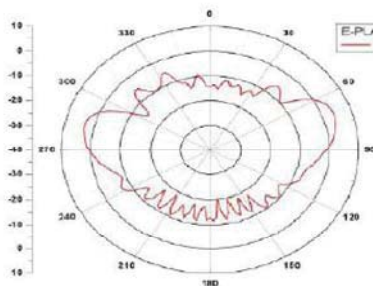
Return loss



V.S.W.R.



PATTERN



for reference only