

# 承認書

## APPROVAL SHEET

CUSTOMER: MAP ELECTRONICS CO., LTD

---

CUSTOMER MODEL NO.: MEGWX-1811SAXX-920

---

DESCRIPTION: Waterproof Replacement Antenna

---

REV.: 00

---

DATE: 2014/12/3

---

Customer Approval	
-------------------	--

## Index.

---

<b>1. Specification</b>	2
<b>1.1 Drawing</b>	2
<b>1.2 Connector</b>	3
<hr/>	
<b>2. Test report</b>	4
<b>2.1 Electrical test</b>	4
<b>2.2 Pattern test</b>	5

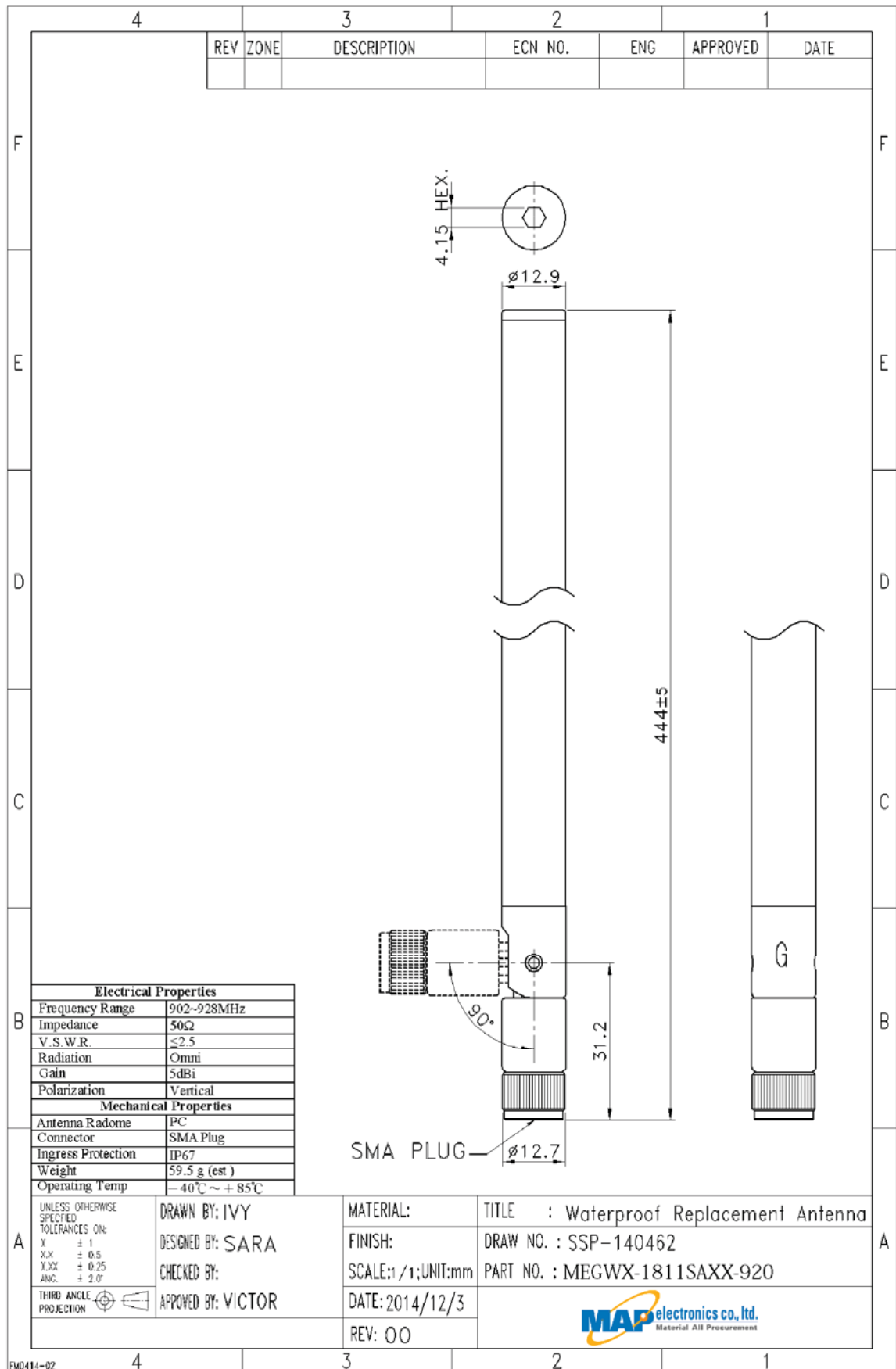
---

### Modification History:

<b>Rev.</b>	<b>Date</b>	<b>Content</b>
00	2014/12/3	

# 1. Specification

## 1.1 Drawing



---

---

## 1.2 Connector

## SMA

---

Specification Data	1) Impedance	50 ohm
	2) Frequency Range	0~6GHz
	3) V.S.W.R.	$\leq 1.5$
	4) Working Voltage	$\leq 250$ Vrms
	5) Dielectric Withstanding	$\leq 670$ Vrms
	6) Voltage Insulation Resistance	$\geq 2000$ Mega ohm
	7) Contact Resistance	Center contact: 3.0 Milliohms (Max.) Outer contact: 2.0 Milliohms (Max.)
	8) Recommended coupling nut torque	4.0~8.8 in. lbs (0.45~0.99Nm)
	9) Coupling nut retention force	$\geq 50$ lbs (222N)
	10) Contact captivation force	$\geq 5$ lbs (22.2N)
	11) Durability (mating)	$\geq 500$ cycles

---

Environmental Data	1) Operating Temperature	$-65^{\circ}\text{C} \sim +165^{\circ}\text{C}$
	2) Thermal Shock	MIL-STD-202,Method 107, Condition B
	3) Corrosion	MIL-STD-202,Method 101, Condition B
	4) Shock	MIL-STD-202,Method 213, Condition I
	5) Vibration	MIL-STD-202,Method 204, Condition C
	6) Moisture Resistance	MIL-STD-202,Method 106

---

Material Specifications	Material Data	Material
	1) Body	Brass
	2) Contact	Brass
	3) Insulator	Teflon or Delrin

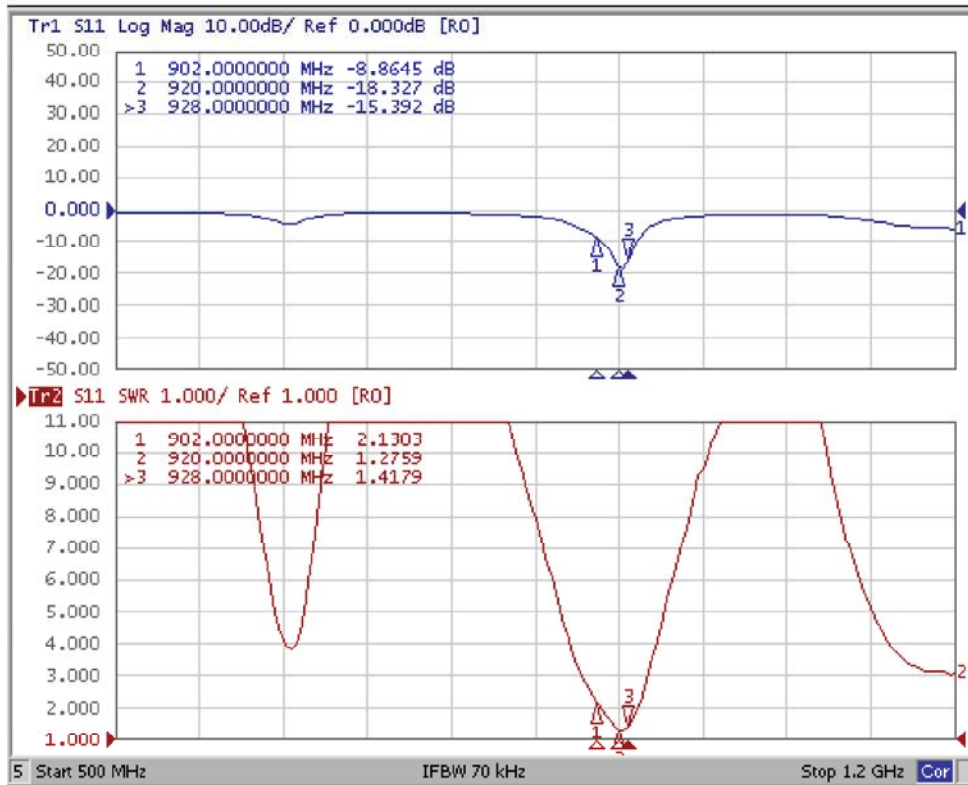
## 2. Test Report

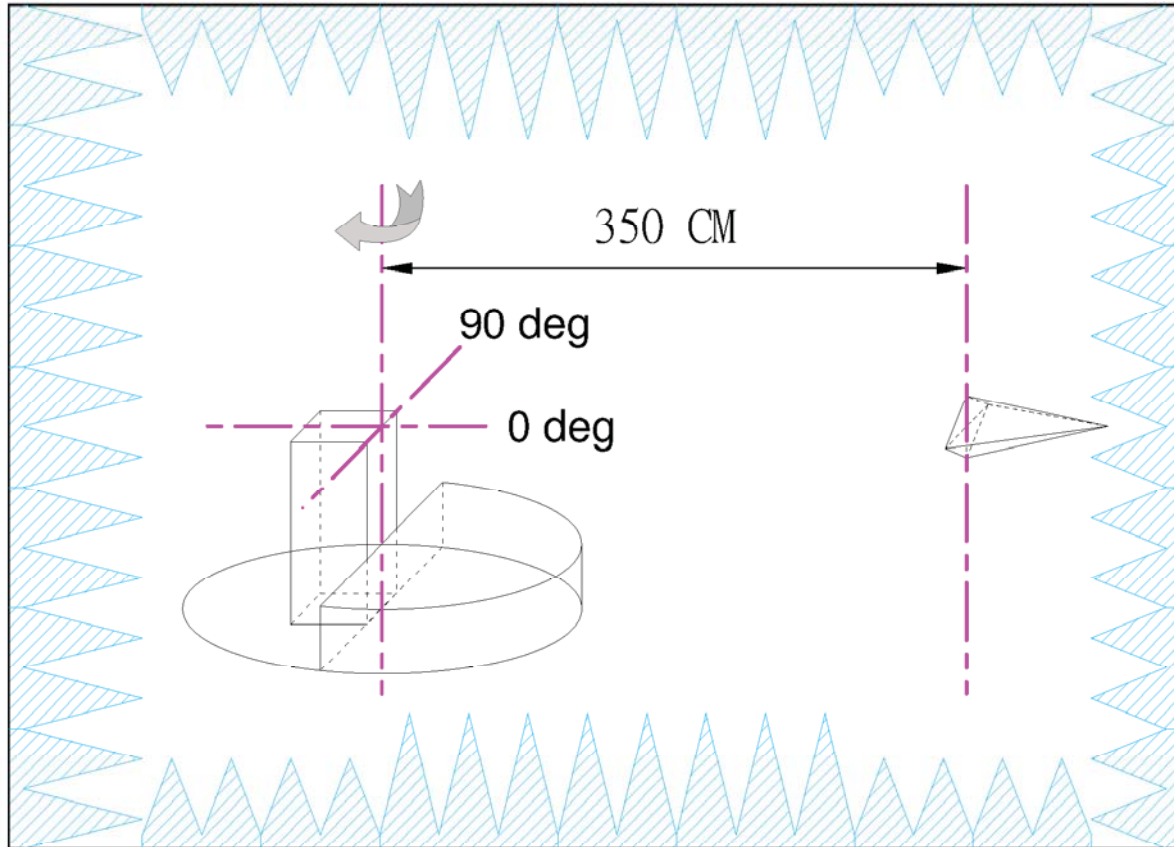
Model NO. MEGWX-1811SAXX-920

### 2.1 Electrical test

Return loss/V.S.W.R

Return loss





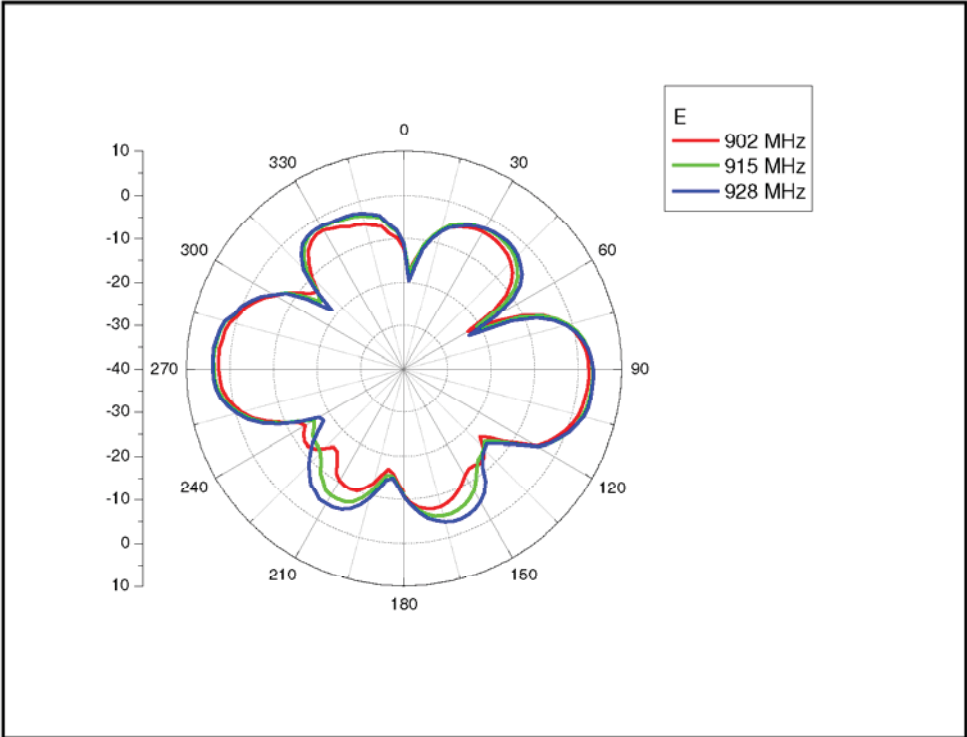
### Test Equipment

Anechoic chamber: 100MHz~6GHz 8\*6\*6m (※ 1m Quiet zone at 800MHz)

Source Antenna: ETS-3164 Dual Polarized Horn

Network Analyzer: Agilent E5071B 100kHz~8.5GHz

E-plane



H-plane

