

承認圖

SPECIFICATION FOR APPROVAL

品名

PART NAME HELICAL ANTENNA

機種

MODEL NO. ME-429-51.5

品號

PART NO.

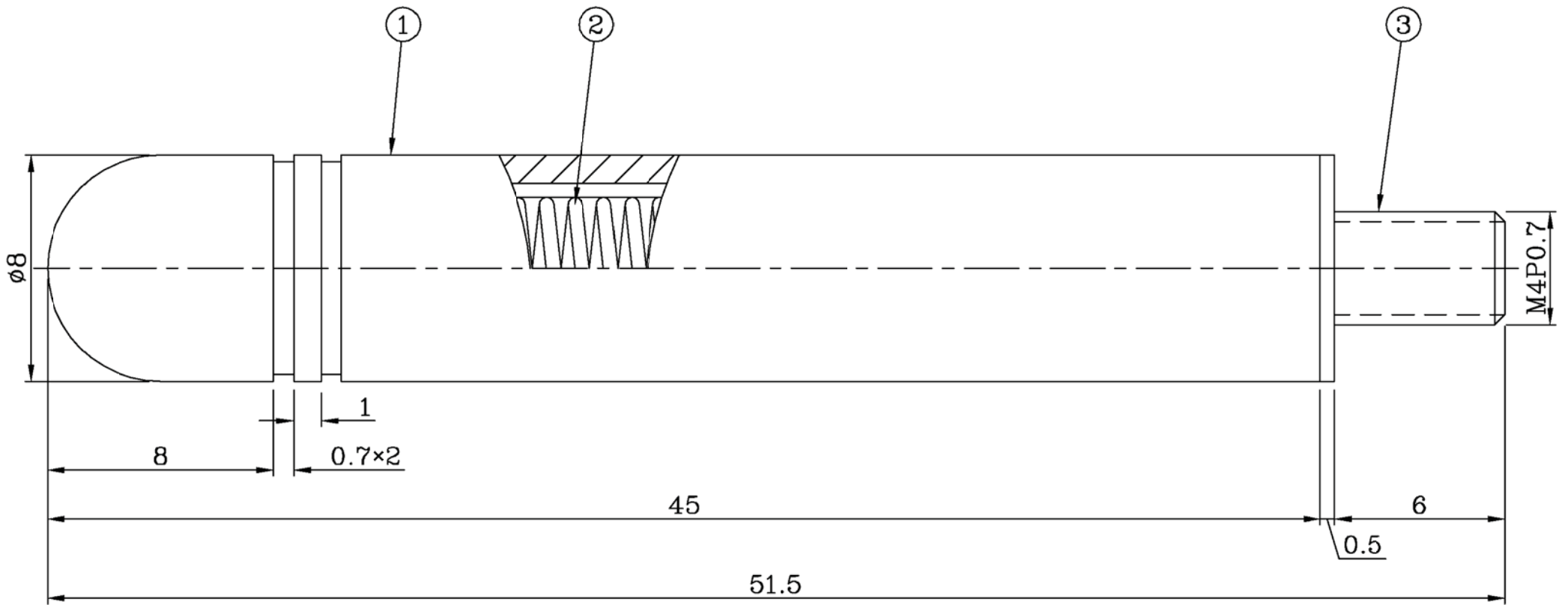
承認印 APPROVED BY

MAP ELECTRONIC CO. LTD 有限公司

ELECTRONIC CHARACTERISTICS		
1	DRAWING NO.	
2	COMMODITY	HELICAL ANTENNA
3	MODEL. NO.	ME-429-51.5
4	FREQUENCY	429 MHz
5	IMPEDANCE	50Ω
6	V. S. W. R.	<2.5
7	POLARIZATION	VERTICALITY
8	RADIATION PATTERN	OMNI-DIRECTIONAL
9	INSULATION RESISTANCE	500 V DC 500MΩ Min.
10	WITHSTAND VOLTAGE	500 V AC / 1 MINUTE Min.

MECHANICAL CHARACTERISTICS		
11	DRAWING FORCE	5 kg
12	BASE	SCREW
13	WEIGHT	4g

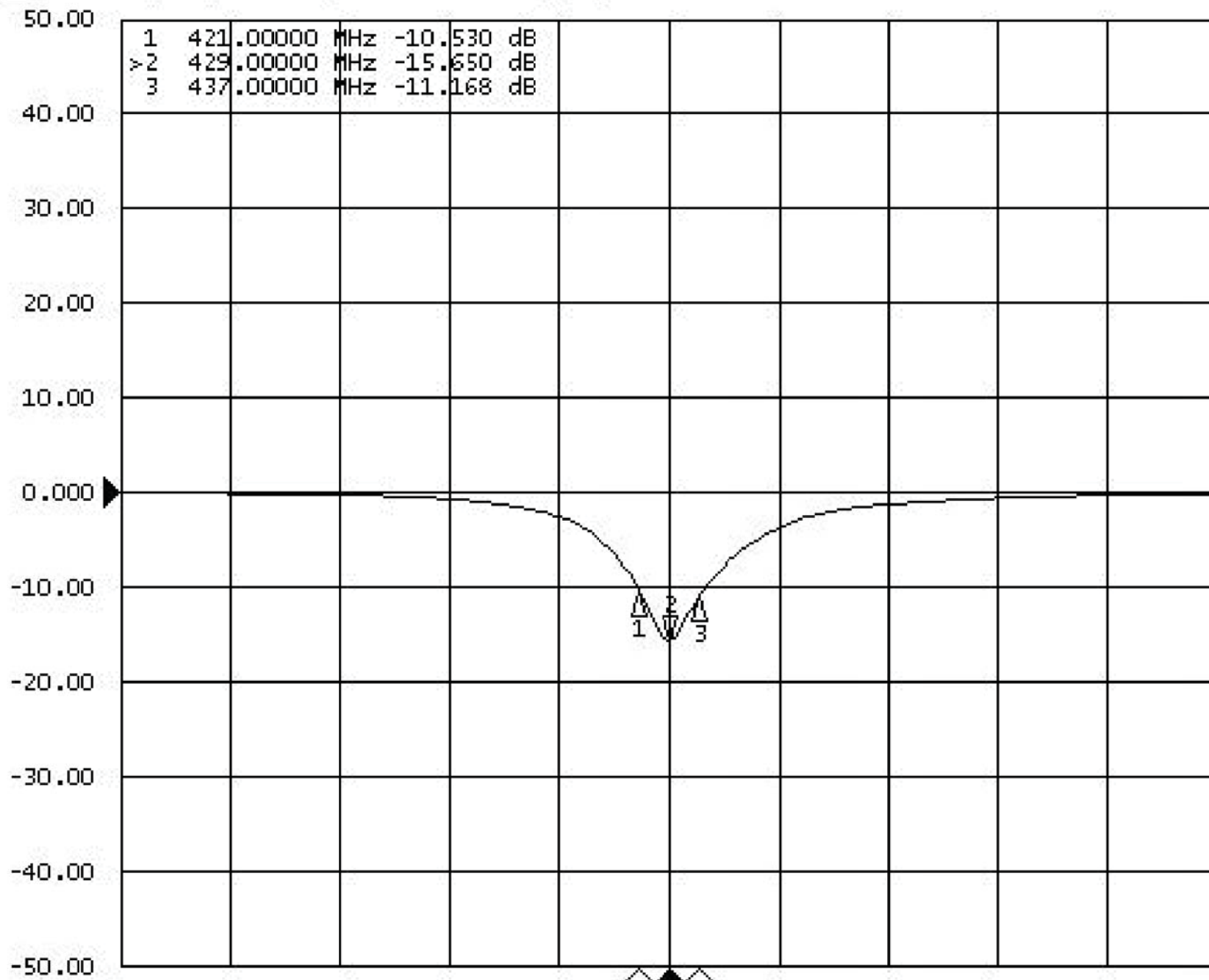
for reference only



3	BASE			BRASS	1	Ni#							
2	SPRING			PDW	1	Au#	SCALE:	5:1					
1	COVER			PU	1	BLACK	UNIT	MM					
SIGN	DESCRIPTION			MATERIAL	Q'TY.	TREAT.	TOLERANCE:	±1.0	SIGN	DATE	REVISION	DRW.	FINAL
DRG	DESIGN	CHECK	FINAL	DRAWING NO.		COMMODITY	MODEL NO.		PART NO.		REMARK		
H.L.F	C.C.S					HELICAL ANTENNA	ME-429-51.5						

for reference only

▶ **Tr1** S11 Log Mag 10.00dB/ Ref 0.000dB [D/M]



E5071B Menu

Trigger ▶

Marker ▶

Marker Search ▶

Marker Function ▶

Analysis ▶

Macro Setup ▶

Save/Recall ▶

System ▶

Preset ▶

1 Center 429 MHz

IFBW 70 kHz

Span 300 MHz Off

for reference only