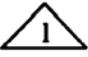


SPECIFICATION

TYPE: RUBBER ANTENNA


CUSTOMER: MAP

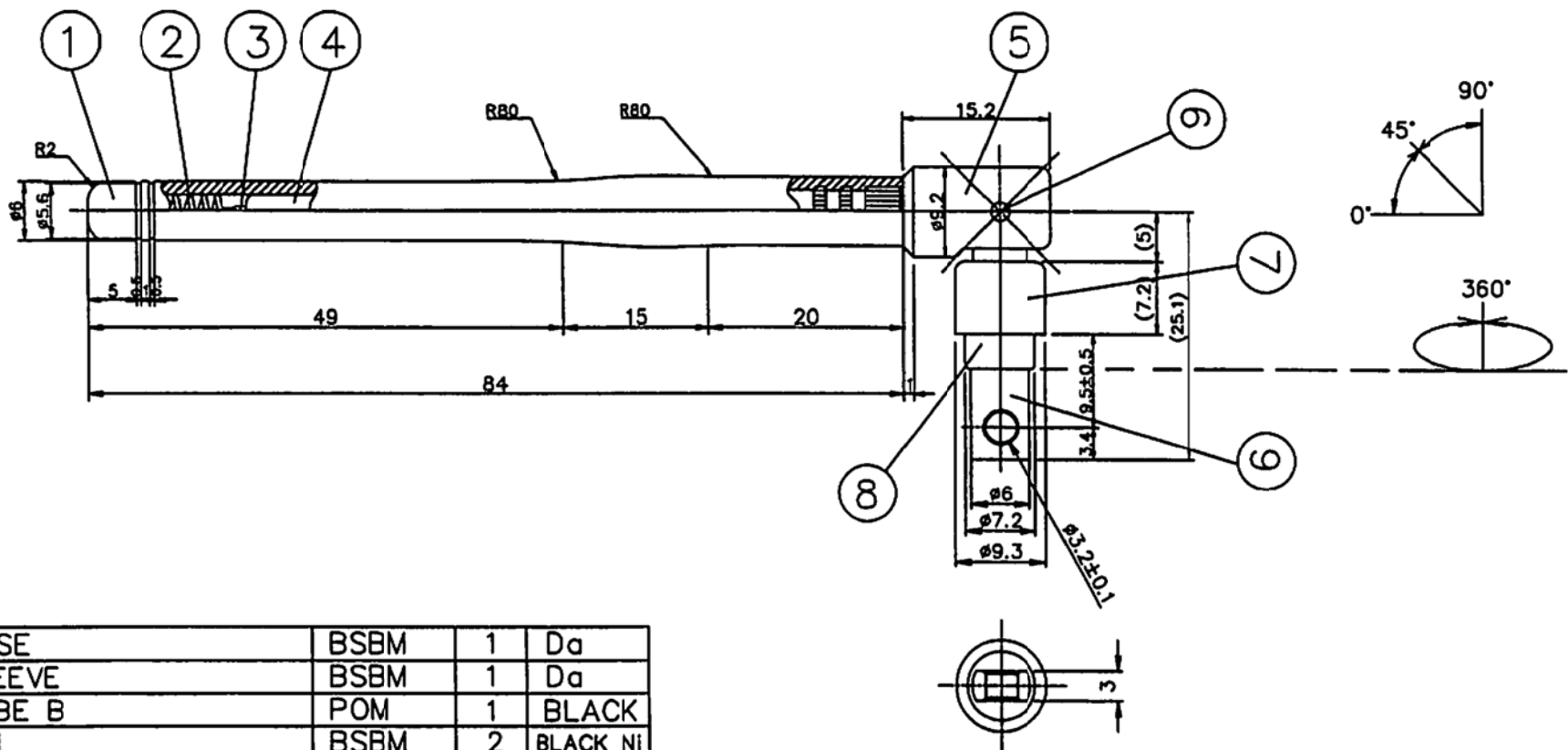
1. TYPE ___ ANTENNA DELIVERY INSPECTION ACCORDING THIS SPEC.
2. ANTENNA SIZE AND TOLERANCE ACCORDING DRAWING NO. YH 990606.
3. EXTERNALS: EXTERIOR OF ANTENNA IS TO BE FREE FROM ANY CONSPICUOUS SCRATCHES DENTS OR STAINS.
4. MECHANICAL FEATURES:
 - X 4.1 THE FORCE REQUIRED TO COLLAPSE ANTENNA SHALL BE FROM ___ KG TO ___ KG.
 - X 4.2 THE FORCE REQUIRED TO RETRACT ANTENNA INTO ANTENNA HOUSING GUIDE TUBE SHALL BE BETWEEN ___ KG AND ___ KG.
THE FORCE REQUIRED TO RETRACT ANTENNA INTO BALL HOLDER SHALL BE BETWEEN ___ KG AND ___ KG.
 - X 4.3 ANTENNA MUST EXTEND AND COLLAPSE SMOOTHLY AFTER ___ KG WEIGHT IS SUSPENDED FROM TIP OF EXTENDED ANTENNA FOR 1 MINUTE.
 - X 4.4 THE FORCE REQUIRED TO COLLAPSE ANTENNA SHALL BE FROM ___ KG TO ___ KG AFTER A TEST OF ___ CYCLES IS PERFORMED AT THE RATE OF LESS THAN 7 PER MINUTE , THE EXTENDED ANTENNA MUST SUPPORT ITSELF IN ANY DESIRED POSITION . ANY DESIRED POSITION.
 - 4.5 ROTATION TORQUE SHALL BE 0.2 CM-KG 0.8 CM-KG.
 - 4.6 TENSILE STRENGTH OF CAP OF WIRE WITH HOLDER BASE: 3 KG MIN.
IMPEDANCE: (50) ohms.
FREQUENCY: 429 +/- 25 MHz.
 - 4.7 AFTER 10 CYCLES OF SWING TEST IS PERFORMED AT THE SWING.
ANGLE OF 90° (45° EACH RIGHT AND LEFT DIRECTIONS WITH THE HOLDER FIXED) NO ABNORMALITY SHALL BE FOUND.
 - 4.8 TEMPER/RANGE :
 -  OPERATING: -40°C TO +85°C
 - STORAGE : -40°C TO +85°C Relative Humidity 95%

5. CHECK

- | | | |
|-------------------------|------------------|---------|
| (2) SIZE AND TOLERANCE | AQL | 1.50% |
| (3) EXTERNALS | AQL | 4.00% |
| (4) MECHANICAL FEATURES | | |
| 4.1. DAMAGE TEST | N=5 A=0 R=1 (AQL | 1.50%) |
| 4.2. | AQL | 1.50% |
| 4.3. DAMAGE TEST | N=0 A=0 R=1 | |
| 4.4. DAMAGE TEST | N=0 A=0 R=1 (AQL | 1.50%) |
| 4.5. | AQL | 1.50% |
| 4.6. DAMAGE TEST | N=5 A=0 R=0 (AQL | 1.50%) |
| 4.7. | AQL | 1.50% |

6. SPECIFICATIONS OTHER THAN THOSE MENTIONED ABOVE ARE NEGOTIABLE BY REQUEST.

3						
2						
	2011.09.2	加註溫度條件	YU	TONY		
SIGN	DATE	REVISION		DRW	CHECK	APPROVAL
DRW	CHECK	CHECK	DATE	DIAGRAM NUMBER	TYPE	
Daniel	TONY	游	APR.22.2011	YH 990606		



FREQUENCY : 429 ± 25MHz

9	BASE	BSBM	1	Da
8	SLEEVE	BSBM	1	Da
7	TUBE B	POM	1	BLACK
6	PIN	BSBM	2	BLACK NI
5	TUBE A	POM	1	BLACK
4	TUBE	BST	1	Da
3	CABLE RG-178		1	
2	SPRING	PBW	1	Da
1	TUBE	非P型	1	BLACK

STAYSAIL	• •		
SCALE	• •		
UNIT	mm	△	2011.09.29
TOLERANCE	±0.2	SIGN	DATE
		REVISION	TONY YU
		DRW	CHECK
DRW	CHECK	REC'G	DATE
Daniel	YU	TONY	2011.04.22
DIAGRAM NUMBER		DIAGRAM NAME	
YH990606		RUBBER An't	
TYPE		MAP	



for reference only