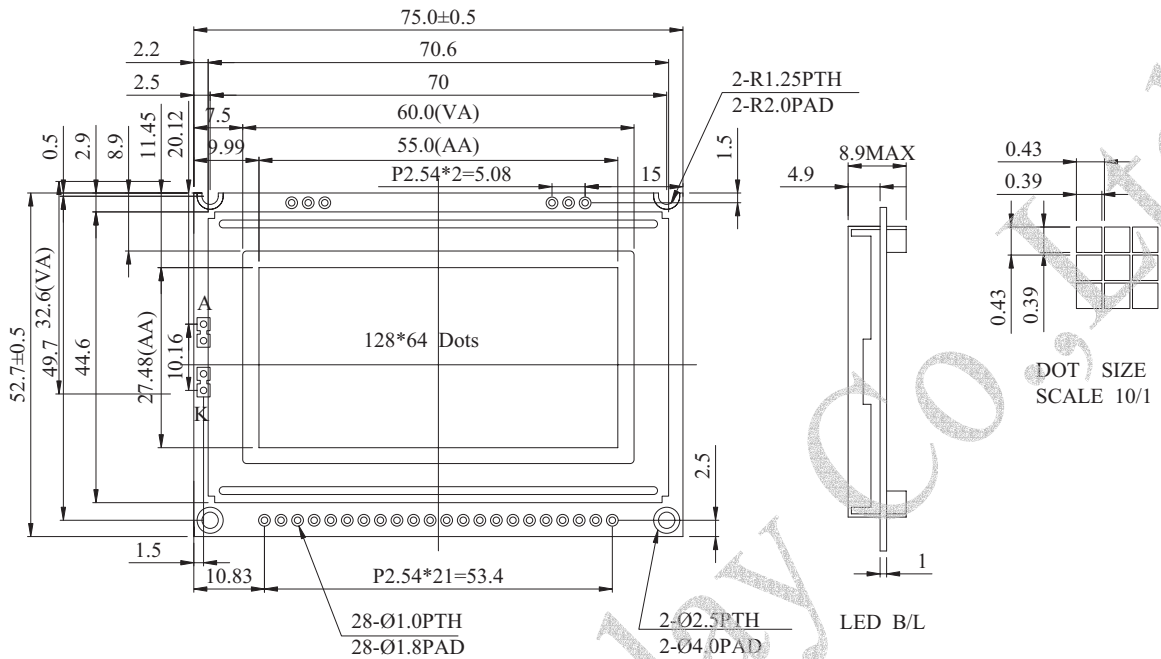


WG12864S Graphic 128x64 dots

Dimension drawing



Graphic type

Feature

1. Built-in controller (ST7920)
2. +5V power supply
3. 1/64 duty cycle
4. N.V. Built-in
5. Chinese Version Optional
6. Same size with WG12864B

Mechanical Data

Item	Standard Value	Unit
Module Dimension	75.0x52.7x8.9	mm
Viewing Area	60.0x32.6	mm
Dot Size	0.39x0.39	mm
Dot Pitch	0.43x0.43	mm

Pin NO.	Symbol	Function
1	Vss	Ground
2	Vdd	Supply voltage for logic
3	Vo	Operating voltage for LCD
4	RS	H: Data L: Instruction
5	R/W	H: read data L: write data
6	E	Enable signal
7	DB0	Data bus line
8	DB1	Data bus line
9	DB2	Data bus line
10	DB3	Data bus line
11	DB4	Data bus line
12	DB5	Data bus line
13	DB6	Data bus line
14	DB7	Data bus line
15	A	Power Supply for LED backlight(+)
16	K	Power Supply for LED backlight(-)
17	RES	Reset signal
18	VOOUT	Positive Voltage Output
19	NC	No connection
20	NC	No connection
21	A	Power Supply for LED(+)
22	K	Power Supply for LED(-)

Absolute Maximum Rating

Item	Symbol	Standard Value			Unit
		min.	typ.	max.	
Power Supply	VDD-VSS	0	---	7.0	V
Input Voltage	VI	0	---	VDD	V

Note: VSS=0 Volt, VDD=5.0 Volt.

Electronical Characteristics

Item	Symbol	Condition	Standard Value			Unit
			min	typ.	max.	
Input Voltage	VDD	VDD=5V	4.5	5.0	5.5	V
Supply Current	IDD	VDD=5V	1.7	2.0	2.3	mA
Recommended LC Driving Voltage for Normal Temp. Version module	VDD-VO	-20°C	---	---	5.15	V
		0°C	---	---	---	
		25°C	---	5.14	---	
		50°C	---	---	---	
		70°C	5.09	---	---	
LED Forward Voltage	VF	25°C	---	4.2	---	V
LED Forward Current	IF	25°C	---	100	---	mA
EL Power Supply Current	IEF	Vel=110VAC;400Hz	---	---	5.0	mA