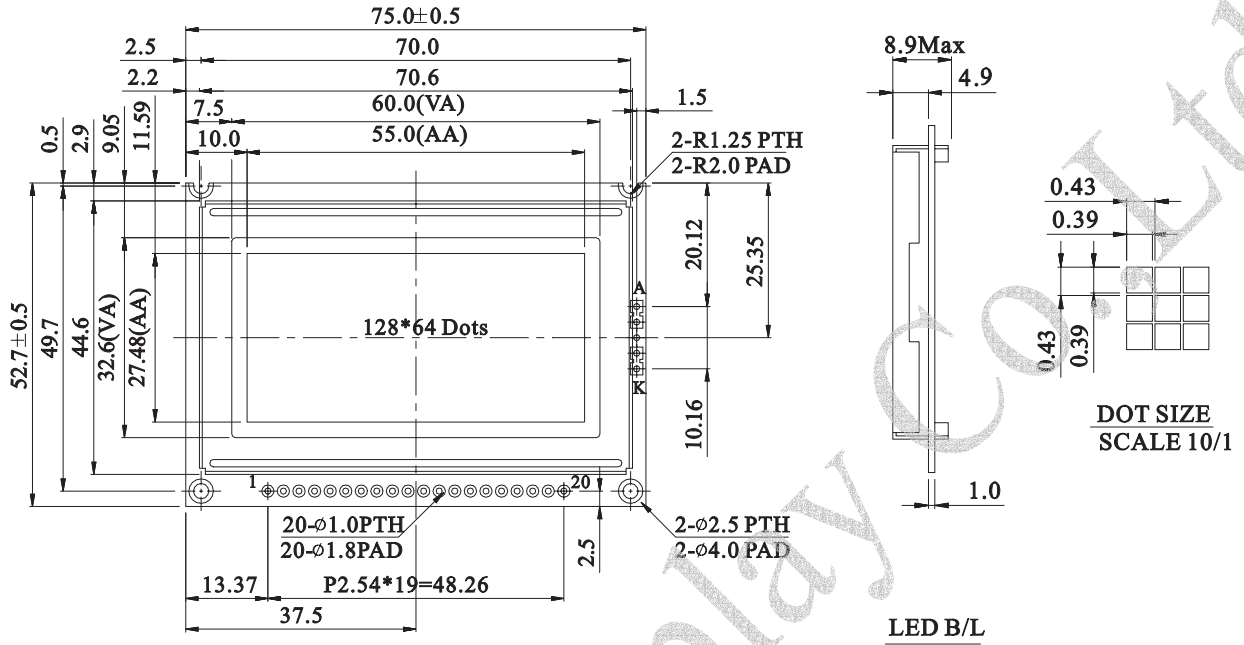




WG12864B Graphic 128x64dots

Dimension drawing



Graphic type

Feature

1. Built-in controller Samsung- (KS0107 · KS0108 or equivalent)
2. +5V power supply
3. 1/64 duty cycle
4. N,V Built-in
5. Chinese Version:WG12864S

Mechanical Data

Item	Standard Value	Unit
Module Dimension	75.0x52.7	mm
Viewing Area	60.0x32.6	mm
Mounting hole	70.0x 49.7	mm
Dot Pitch	0.43x0.43	mm

Pin NO.	Symbol	Function
1	Vdd	Power Supply(+5V)
2	GND	Power Supply(GND)
3	Vo	Contrast Adjustment
4	DB0	Data bus line
5	DB1	Data bus line
6	DB2	Data bus line
7	DB3	Data bus line
8	DB4	Data bus line
9	DB5	Data bus line
10	DB6	Data bus line
11	DB7	Data bus line
12	CS1	Chip select IC1
13	CS2	Chip select IC2
14	RST	Reset signal
15	R/W	Data read/write
16	D/I	Data /instruction
17	E	Enable signal
18	Vee	Negative Voltage output
19	A	Power supply for LED(+4.2V)
20	K	Power supply for LED (0V)

Absolute Maximum Rating

Item	Symbol	Standard Value			Unit
		min.	typ.	max.	
Power Supply	VDD-VSS	4.75	5.0	5.25	V
Input Voltage	VI	-0.3	---	VDD	V

Note : VSS=0 Volt, VDD=5.0 Volt.

Electronical Characteristics

Item	Symbol	Condition	Standard Value			Unit
			min.	typ.	max.	
Input Voltage	VDD	L level	0.7V _{DD}	---	V _{DD}	V
	VIO	H level	0	---	0.3V _{DD}	V
Supply Current	IDD	VDD=5V	---	4.0	5.2	mA
Recommended LC Driving Voltage for Normal Temp. Version module	VDD-V0	-20°C	9.9	10.4	10.9	V
		0°C	9.7	10.2	10.7	
		25°C	7.5	8.0	8.5	
		50°C	8.6	9.1	9.6	
LED Forward Voltage	VF	25°C	---	4.2	4.6	V
		25°C Edge	---	100	150	mA
LED Forward Current	IF	25°C Edge	---	100	150	mA
EL Power Supply Current	IEL	Vel=110VAC;400Hz	---	---	5.0	mA