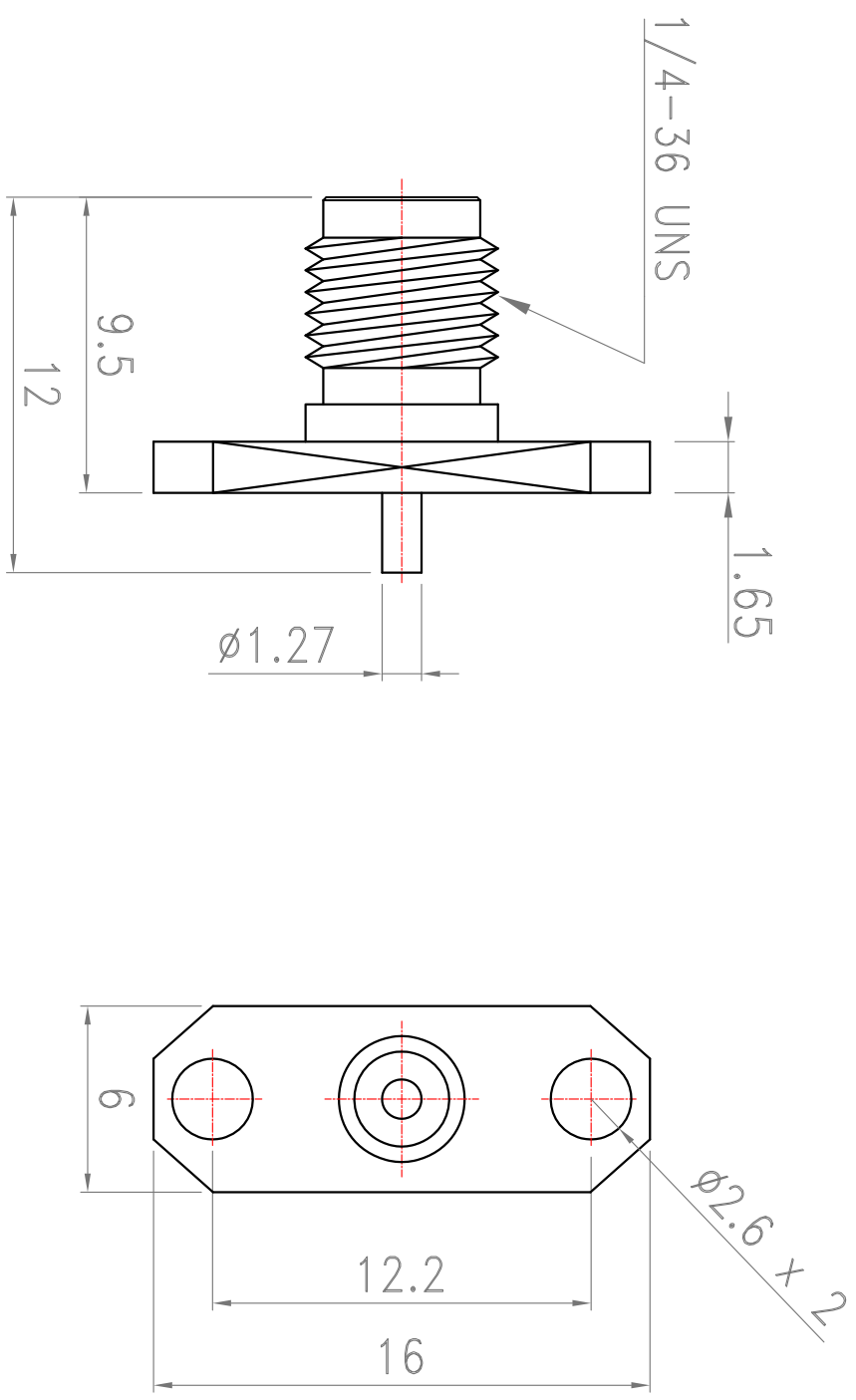


Revisions

ISS	Symbol	Description	Date
B		CHE for New Drawing Frame & New PN System	2006/07/11

Outline Drawing

Note: Revisions B: B-1; B-2..... On behalf of official Drawing.
 Revisions 1: 2; 3; 4..... On behalf of experiment's Drawing.



ROHS COMPLIANCE

ITEM	Description	Material	Finish	Part Number	QTY
6					
5					
4					
3	Pin	BeCu	30u"Gold		
2	Insulator	PTFE	None		
1	Body	Brass	Gold		

Scale	Abbr.	Date	Rev.
NTS	ST	2011/04/28	B

Drawn	Checked	Approved
<i>Mark</i>	<i>Ryuan</i>	<i>Y. Sun</i>

DWG. NO.	TITLE
W50110012	SMA Panel Mount Jack Receptacle, 2-Hole Flange, Blunt Post



Proprietary Note
 This document contains information proprietary to MAP, which is either copyrighted, or patent applied for, and / or protected by trade secret laws.
 This document or parts thereof, may not be used disclosed or reproduced in any form by any method, or for any purpose, without the written permission of MAP, Japan.

Tolerances :
 .X ±0.2
 .XX ±0.1
 .XXX±0.05

All Dimensions in mm
 (Unless Otherwise Specified)

Customer P/N: