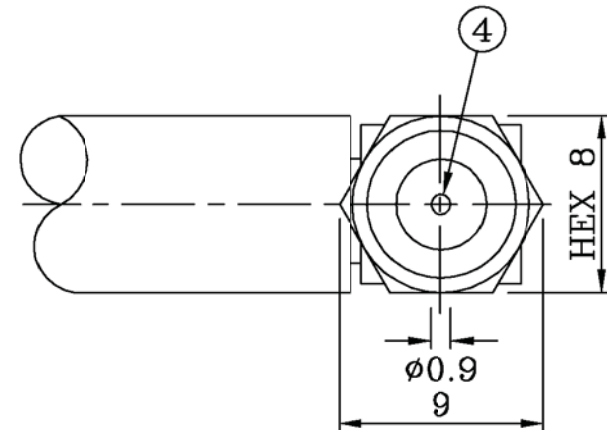
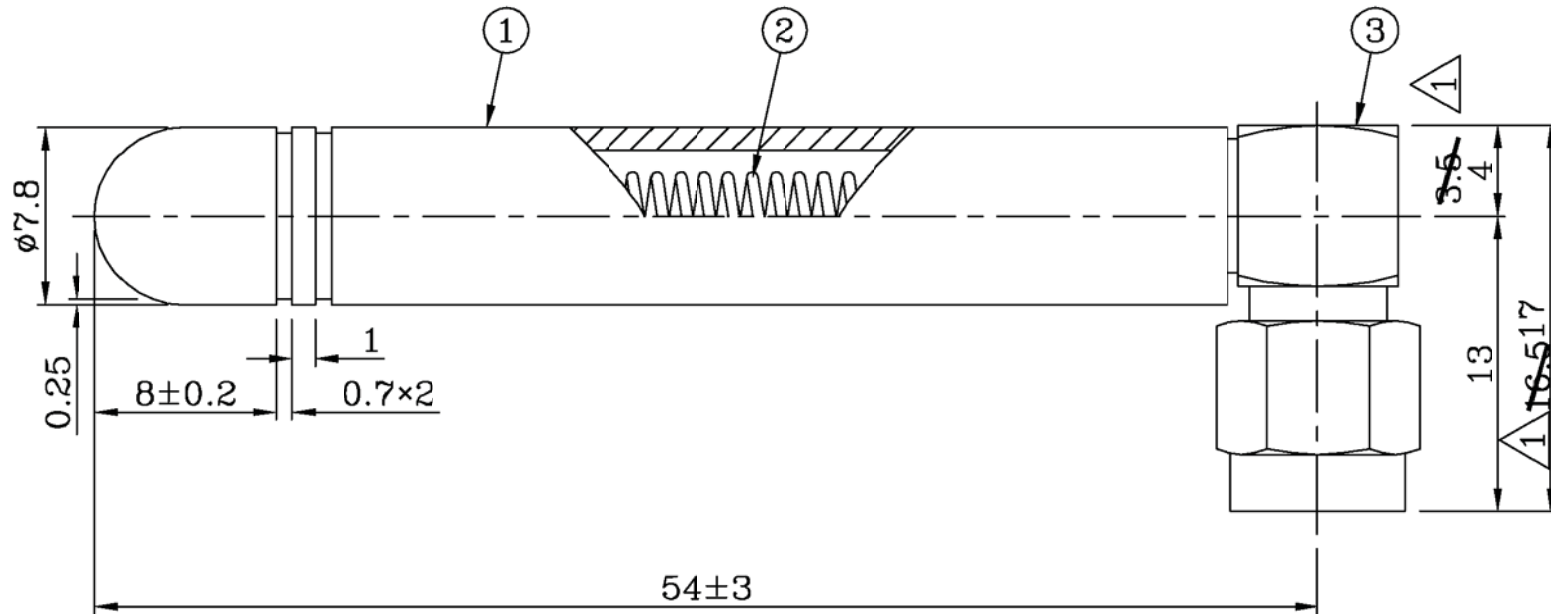


ELECTRONIC CHARACTERISTICS		
1	DRAWING NO.	SA-930715
2	COMMODITY	RUBBER ANTENNA
3	MODEL. NO.	RA-433-54-SMA(R)
4	FREQUENCY	433±7 MHz
5	IMPEDANCE	50Ω
6	V. S. W. R.	2.5>
7	POLARIZATION	VERTICALITY
8	RADIATION PATTERN	OMNI-DIRECTIONAL
9	INSULATION RESISTANCE	500 V DC 500MΩ Min.
10	WITHSTAND VOLTAGE	500 V AC / 1 MINUTE Min.

MECHANICAL CHARACTERISTICS		
11	DRAWING FORCE	>5 kg
12	BASE	SAM CONNECTOR(R)
13	WEIGHT	8.0g



for reference only



4	CENTER PIN	BsBM	1	Au#								
3	SMA CONNECTOR(R)	BsBM	1	Ni#								
2	SPRING	PDW	1	Au#	SCALE:	3:1						
1	COVER	PU	1	BLACK	UNIT	MM	△	2009.02.03	3.5→4,16.5→17		H.L.F	
SIGN	DESCRIPTION	MATERIAL	Q'TY.	TREAT.	TOLERANCE:	±1.0	SIGN	DATE	REVISION		DRW.	FINAL
DRG	DESIGN	CHECK	FINAL	DRAWING NO.	COMMODITY	MODEL NO.	PART NO.	REMARK				
H.L.F	C.C.S			SA-930715	RUBBER ANTENNA	RA-433-54-SMA(R)	AR19343302					

for reference only