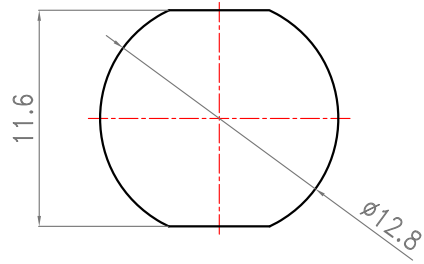


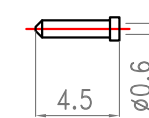
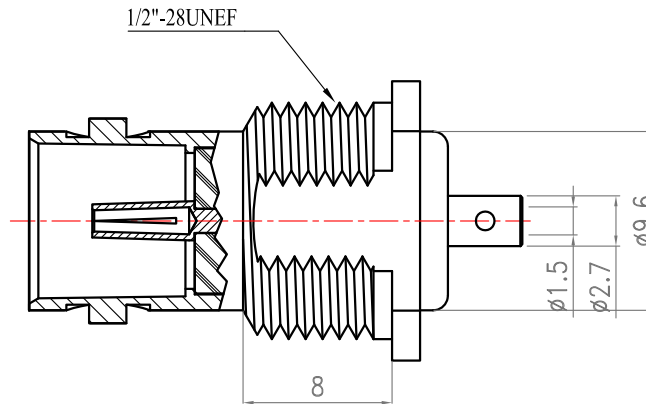
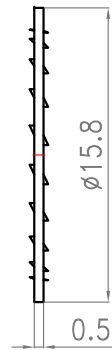
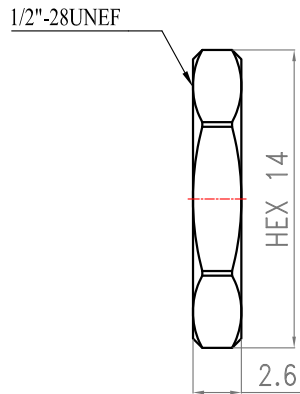
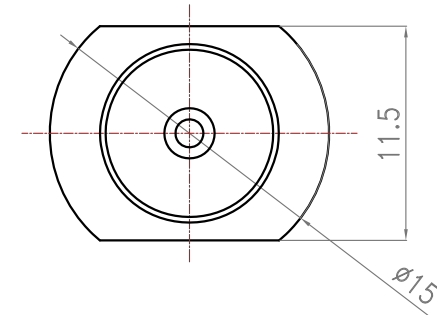
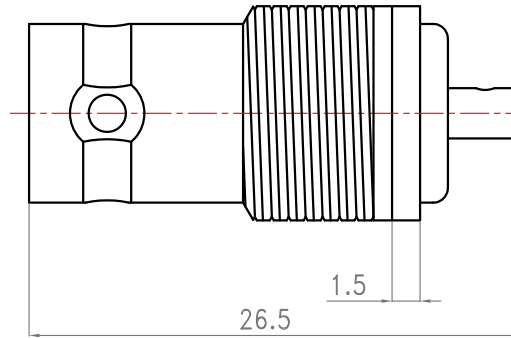
Revisions

Note: Revisions B; B-1; B-2..... On behalf of official Drawing.  
 Revisions 1; 2; 3; 4..... On behalf of experiment's Drawing.

ISS	Symbol	Description	Date
B		CHE for New Drawing Frame & New PN System	2006/07/11



Recommended Mounting Hole



RoHS COMPLIANCE

ITEM	Description	Material	Finish	Part Number	QTY	Scale	Abbr.	Date	Rev.	DWG. NO.	TITLE
6	Nut	Brass	Nickel			NTS	ST	2011/07/22	B	HB220P0N01-BZ-R1	BNC Solder Jack, 75ohm
5	Washer	Steel	Nickel			Tolerances :		All Dimensions in mm (Unless Otherwise Specified)		Customer P/N:	Material All Procurement
4	Pin	Brass	Gold			.X ±0.2	.XX ±0.1				
3	Insulator	PTFE	None			Drawn	Checked	Approved	Proprietary Note This document contains information proprietary to MAP, which is either copyrighted, or patent applied for, and / or protected by trade secret laws. This document or parts thereof, may not be used disclosed or reproduced in any form by any method, or for any purpose, without the written permission of MAP, Japan.		
2	Body	Brass	Gold			Mark	Ryan	G. Sun			
1	Body	Brass	Nickel			2010/09/20	2010/09/28	2010/09/28			