

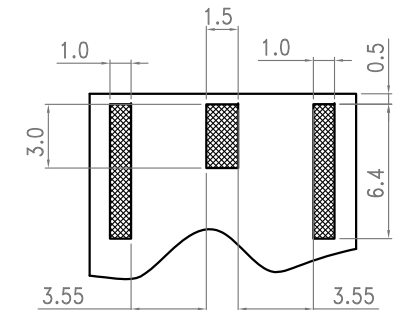
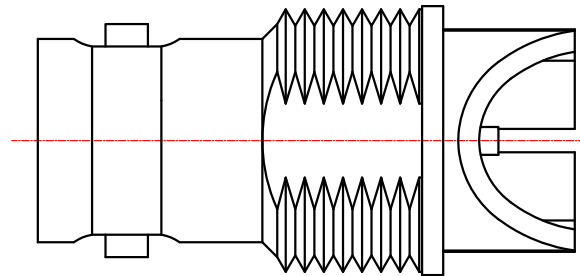
Revisions

Note: Revisions B; B-1; B-2..... On behalf of official Drawing.
 Revisions 1; 2; 3; 4..... On behalf of experiment's Drawing.

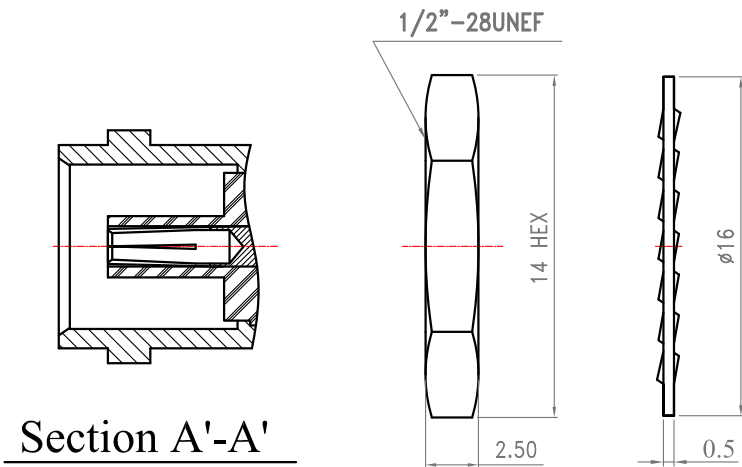
ISS	Symbol	Description	Date
B		CHE for New Drawing Frame & New PN System	2006/07/11

Note :

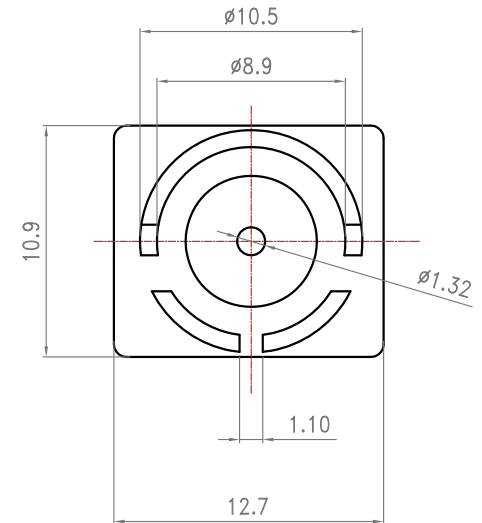
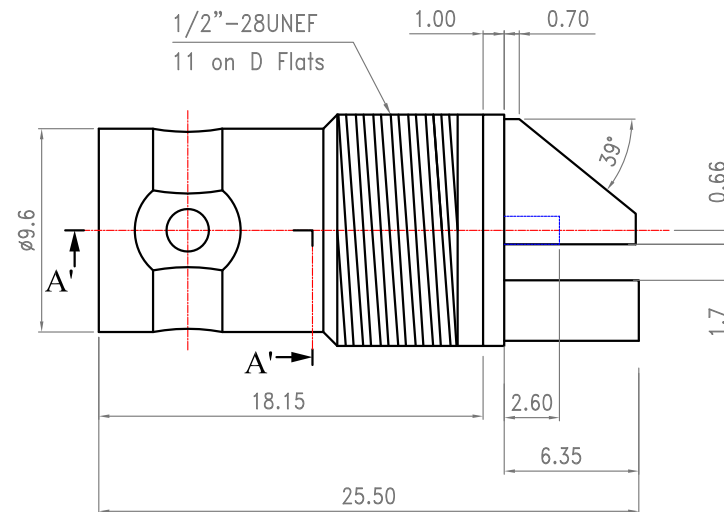
- All metal material is in compliance with RoHs Directive 2002/95/EC Annex 4 (1) Section 6 paragraph.
 所有金屬物料皆符合 RoHs 2002/95/EC號指令附件第4（1）第6項規定。



Recommended PCB Soldering Pattern



Section A'-A'



ITEM	Description	Material	Finish	Part Number	QTY	Scale	Abbr.	Date	Rev.	DWG. NO.	TITLE	
6						NTS	ST	2012/02/02	B	HB204F0G22-R1	BNC Bulkhead Jack, Front Mount(75 Ω)	
5	Nut	Brass	Nickel			Tolerances :		All Dimensions in mm (Unless Otherwise Specified)		Customer P/N:	Material All Procurement	
4	Washer	Steel	Nickel			.X ±0.2	.XX ±0.1	.XXX±0.05	Drawn	Checked		Approved
3	Pin	P. Bronze	3u"Gold			Mark	Ryan	G. Sun	Proprietary Note This document contains information proprietary to MAP, which is either copyrighted, or patent applied for, and / or protected by trade secret laws. This document or parts thereof, may not be used disclosed or reproduced in any form by any method, or for any purpose, without the written permission of MAP, Japan.			
2	Insulator	PTFE	None			2012/02/02	2012/02/02	2012/02/02				
1	Body	Brass	Gold									