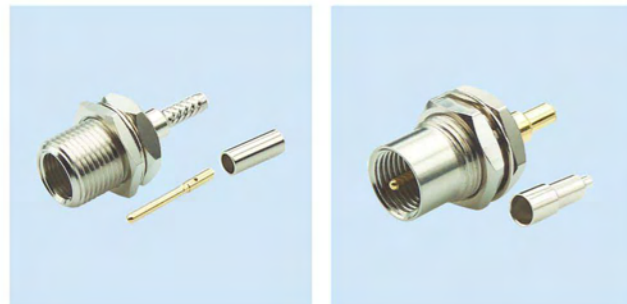
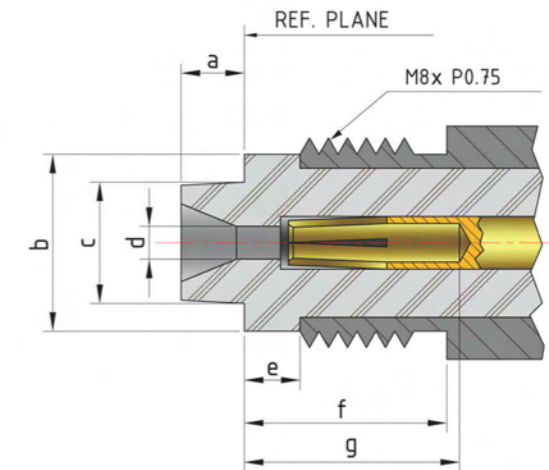
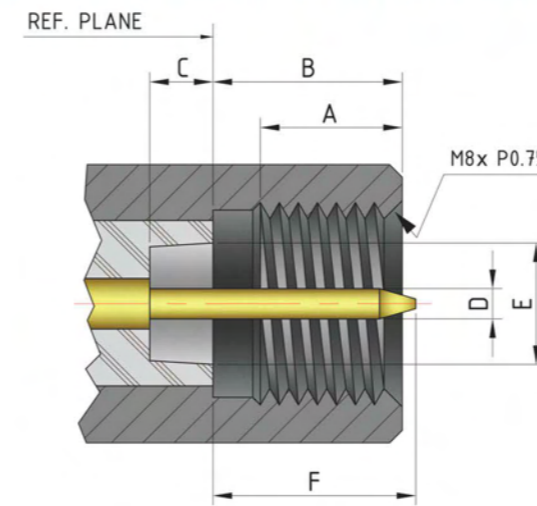


# FME Series

## FME Cable Fixing and Adaptors

FME (For Mobile Equipment) is a miniature 50Ω RF connector series offering excellent performance from DC to 2.0 GHz used with primarily with RG-58 or equivalent coaxial cables employed in mobile applications and installations. The FME female is designed to allow cables it has been installed on to be snaked through the often tight access holes or spaces of a vehicle to the desired equipment location(s) where an FME male adapter to the required equipment connector series is fitted to the female cable connector. There is an extensive array of FME inter-series adaptors available and a male cable connector is also offered for both RG-58 and RG-174 type cables to facilitate extensions, splices or transitions.

## Interface Mating Dimensions



## FME Technical Specification

Impedance	50 ohm
Operating Frequency	DC to 2 GHz
VSWR	1.3:1 Max
Durability	500 Cycles(only for Becu)
Body and Coupling Nut	Brass, Nickel Plated
Pin	Brass, Gold Plated
Contact	Brass, Gold Plated
Insulator	PTFE or Delrin
Mating	M8XP .75 threaded

Note :  
1.

### PLUG

Letter	Millimeters (inches)	
	Minimum	Maximum
A	5.60(.220)	—
B	7.58(.298)	7.62(.300)
C	2.50(.098)	—
D	1.17(.046)	1.23(.048)
E	4.80(.189)	—
F	—	8.00(.315)



### JACK

Letter	Millimeters (inches)	
	Minimum	Maximum
a	—	2.50(.098)
b	—	7.00(.276)
c	—	4.80(.189)
d	1.30(.051)	—
e	2.20(.087)	—
f	8.50(.355)	—
g	8.50(.355)	—





## Crimp Termination for Flexible Cable


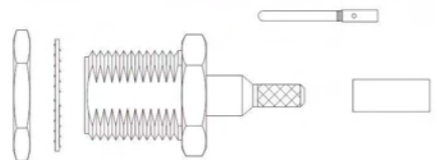
### FME Crimp Plug

 <p>A101</p>		Hand Tool	See Appendix B
		Cable	RG8/X, 58/U, 174/U, 316/U
		Cable Assembly Instruction	See Appendix A Code E


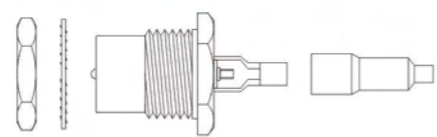
### FME Crimp Plug

 <p>A102</p>		Hand Tool	See Appendix B
		Cable	RG58/U, 174/U, 316/U
		Cable Assembly Instruction	See Appendix A Code E


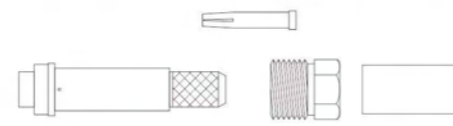
### FME Bulkhead Crimp Plug

 <p>A105</p>		Hand Tool	See Appendix B
		Cable	0.8, 1.13, RG174/U, 178/U 316/U,
		Cable Assembly Instruction	See Appendix A Code E

### FME Bulkhead Crimp Plug

 <p>A108</p>		Hand Tool	See Appendix B
		Cable	Mini Coaxial Cable, RG178/U
		Cable Assembly Instruction	See Appendix A Code F

### FME Crimp Jack

 <p>A201</p>		Hand Tool	See Appendix B
		Cable	RG58/U, 174/U, 316/U
		Cable Assembly Instruction	See Appendix A Code E