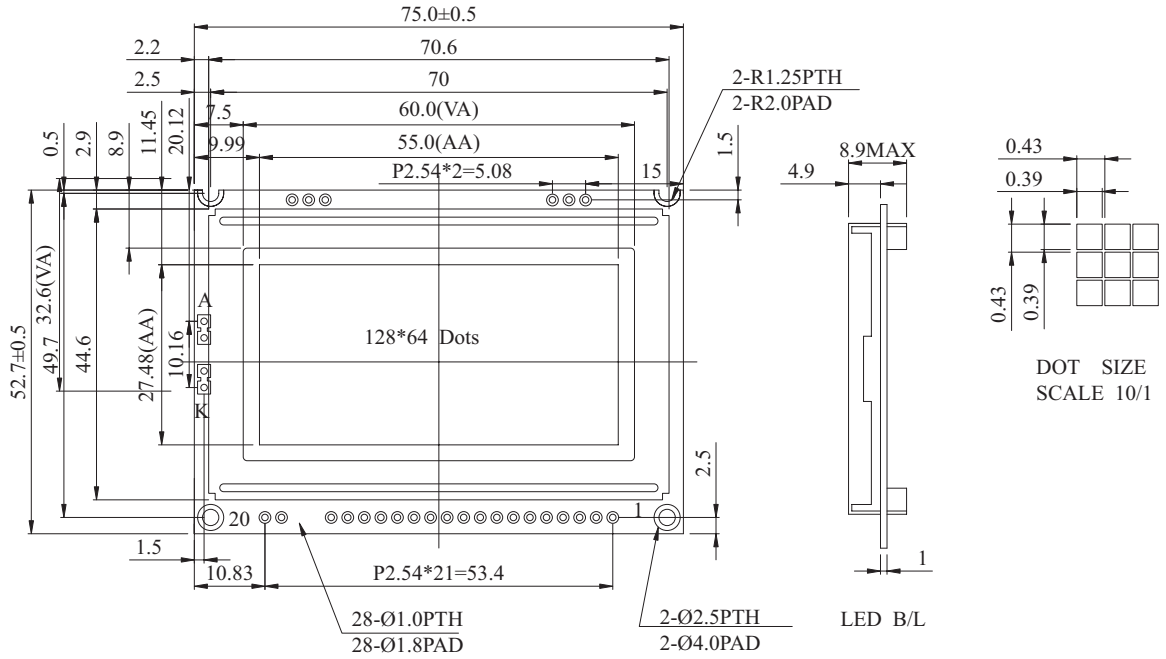


**WG12864S** Graphic 128x64 dots

**Dimension drawing**



Graphic type

**Feature**

1. Built-in controller (ST7920)
2. +5V power supply
3. 1/32 duty cycle
4. N.V.Built-in
5. Chinese Version Optional
6. Same size with WG12864B

Pin NO.	Symbol	Function
1	Vss	Ground
2	Vdd	Supply voltage for logic
3	Vo	Operating voltage for LCD
4	RS	H: Data L:Instruction
5	R/W	H: read data L:write data
6	E	Enable signal
7	DB0	Data bus line
8	DB1	Data bus line
9	DB2	Data bus line
10	DB3	Data bus line
11	DB4	Data bus line
12	DB5	Data bus line
13	DB6	Data bus line
14	DB7	Data bus line
15	A	Power Supply for LED backlight(+)
16	K	Power Supply for LED backlight(-)
17	RST	Reset signal
18	VOUT	Positive Voltage Output
19	A	Power Supply for LED(+)
20	K	Power Supply for LED(-)

**Mechanical Data**

Item	Standard Value	Unit
Module Dimension	75.0x52.7x8.9	mm
Viewing Area	60.0x32.6	mm
Dot Size	0.39x0.39	mm
Dot Pitch	0.43x0.43	mm

**Absolute Maximum Rating**

Item	Symbol	Standard Value			Unit
		min.	typ.	max.	
Power Supply	VDD-VSS	0	---	7.0	V
Input Voltage	VI	0	---	VDD	V

Note: VSS=0 Volt , VDD=5.0 Volt .

**Electronical Characteristics**

Item	Symbol	Condition	Standard Value			Unit
			min.	typ.	max.	
Input Voltage	VDD	VDD=5V	4.5	5.0	5.5	V
Supply Current	IDD	VDD=5V	1.7	2.0	2.3	mA
Recommended LC Driving Voltage for Normal Temp. Version module	VDD-VO	-20°C	---	---	5.15	V
		0°C	---	---	---	
		25°C	---	5.14	---	
		50°C	---	---	---	
		70°C	5.09	---	---	
LED Forward Voltage	VF	25°C	---	4.2	---	V
LED Forward Current	IF	25°C	---	100	---	mA
EL Power Supply Current	IEF	Vel=110VAC;400Hz	---	---	5.0	mA