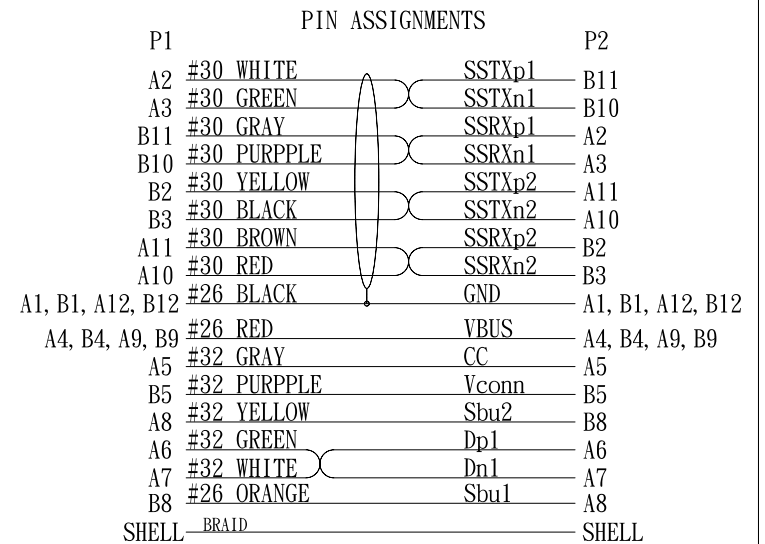


**MATERIAL**

NO	DESCRIPTION	MATERIAL	SUPPLIER	REMARK
1	CABLE	UL 20276 [(30#1P+D+HA+HM) × 4C+32#1P+32#3C+26#4C+Filler+A+B] × 1C /USB3.1 JAKCET:PVC OD:5.2mm BLACK	GLAN/GM	*
2	CONNECTOR	USB 3.1 "C" TYPE PLUG REV USB 3.1 FULL FEATURED	YALIAN	*
3	INNER MATERIAL	THE MATERIAL OF LOW TENSION INJECTION MOLDING	AN SHI AO	*
4	PVC	PVC SHORE 88±2 COLOR:BLACK	GM	41-001-006
5	H.S. TUBE	HEAT SHRINK TUBE UL/CSA 1.0mm BLACK	WORE	42-A001500
6	COPPER FOIL	COPPER FOIL W6*TO. 04mm	MING ZHAN	32-001-066

**NOTES:**

- 100% OPEN&SHORT TEST
- ALL MATERIALS IS RoHS COMPLIANCE
- MOLD NO:HS-IS04I/0



TOLERANCES		REVISIONS				COMPONENT NO :					
		REV	DESCRIPTION	DATE	APPVD.	USB 3.1 TYPE C TO C L=1M					
X .	+	mm	0 SAMPLE(MEUSB57011 REV. 0)	JULY-13-15	LI	APPROVED :	TITLE : CABLE ASS'Y				
X . X	-	mm				CHECKED :	REQUIRED DOCUMENTS : *				
X . XX	+	mm				DRAWN:Libo			SCALE : / SHEET : 1 / 1 REV. 0		
X . XXX	-	mm				DATE:JULY-13-15			DRAWING:MEUSB57011		
METRIC (mm)									THIRD ANGLE PROJECTION		